



# REG-U-MATIC™ PRESSURE TRU PRESSURE REGULATING VALVES

RATED  
400 PSI

**REGULARLY FURNISHED:** Cast brass valve with rising stem, internal parts of brass and stainless steel. Red aluminum hand wheel. Female N.P.T. inlet and outlet.

**REGULARLY FURNISHED:** Cast brass valve with inside screw rising stem, internal parts of brass and stainless steel. Red aluminum hand wheel.

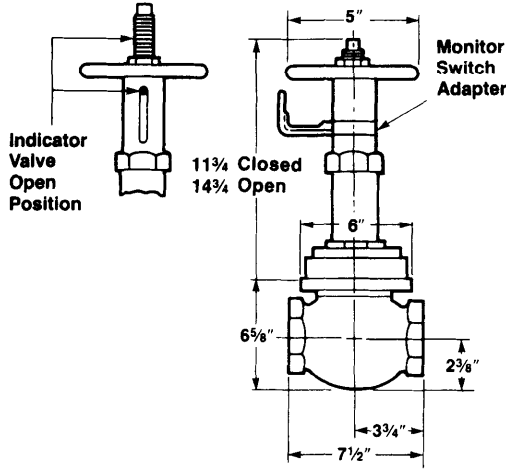
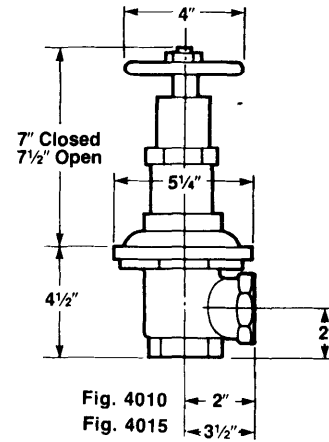


Fig.

- 4005... 2 1/2" Female N.P.T. inlet and outlet with monitor switch adapter



FOR USE AS HOSE VALVE

Fig.

- 4010... 1 1/2" Female N.P.T. inlet and outlet
- 4015... 1 1/2" Female N.P.T. inlet x male hose thread outlet

**REGULARLY FURNISHED:** Cast brass valve with inside screw rising stem, internal parts of brass and stainless steel. Red aluminum hand wheel.

**REGULARLY FURNISHED:** Cast brass valve with rising stem, internal parts of brass and stainless steel. Red aluminum hand wheel. Female N.P.T. inlet and outlet with monitor switch adapter.

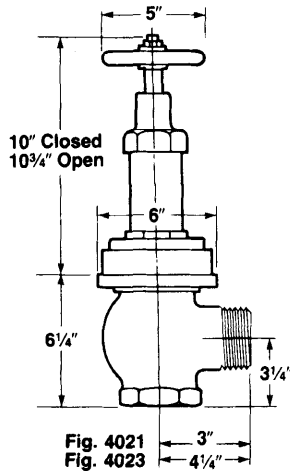


Fig.

- 4021... 2 1/2" Female N.P.T. inlet and outlet
- 4023... 2 1/2" Female N.P.T. inlet x male hose thread outlet

OPTION:  - MSA Monitor Switch Adapter

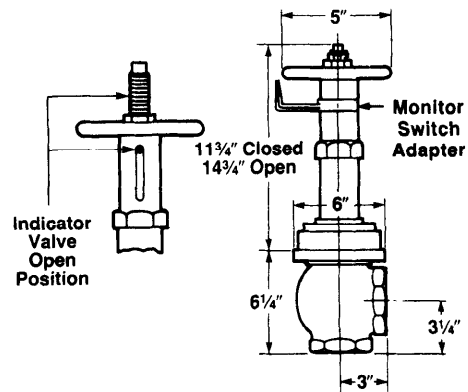


Fig.

- 4032... 2 1/2" Female N.P.T. inlet and outlet with monitor switch adapter

**FOR FACTORY SETTING OF OUTLET PRESSURE SPECIFY:**

1. Floor
2. Inlet Pressure \_\_\_\_\_ PSI
3. Required flow at valve outlet GPM.
4. Valve outlet static pressure (no flow).
5. Valve outlet residual pressure (flowing).
6. See reverse to specify above. (must be signed by Purchaser)

**OPTIONAL FINISH**

- C Rough Chrome Plated

**THREADS:**  N.S.T.

- OTHER \_\_\_\_\_

DATE

3-1-86

NOTE: The in-line installation of a "REG-U-MATIC™" sets up a closed system. A relief valve should be installed to eliminate excessive pressure build up due to line surges.

FIGURE NUMBER

4005-4032

WE ASSUME NO RESPONSIBILITY FOR USE OF SUPERSEDED OR VOID DATA.

DIMENSIONS ARE SUBJECT TO MANUFACTURERS TOLERANCE AND CHANGE WITHOUT NOTICE.

