

POTTER-ROEMER



Cerritos, California
Union, New Jersey

Fire Protection Products

Division of Smith Industries, Inc.

MEMBER



1 1/2" PRESSURE REGULATING VALVES

• Automatic Pressure Control Valve • Automatic Check Valve • Floor Control Valve/Remote Monitoring

**RATED
300 PSI**

REGULARLY FURNISHED: Cast brass valve with rising stem. Internal parts of brass and stainless steel, aluminum handwheel. Female NPT inlet and outlet.

REGULARLY FURNISHED: Cast brass valve with rising stem, internal parts of brass and stainless steel, aluminum handwheel. Female NPT inlet x male hose thread outlet.

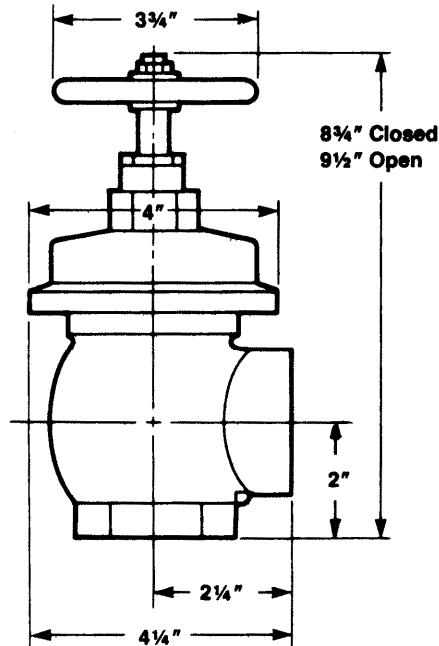


Fig.
 4042... 1 1/2" Female N.P.T. inlet and outlet.

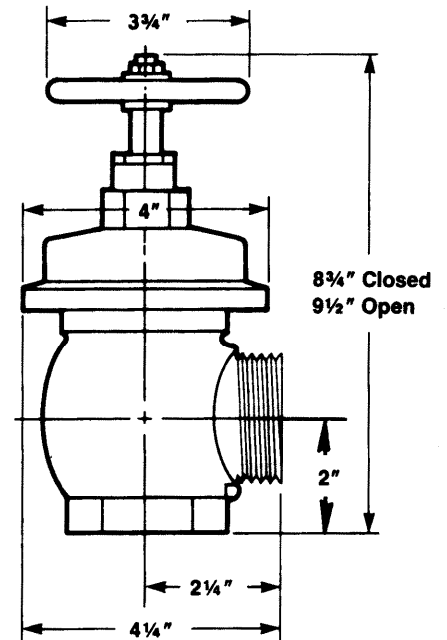


Fig.
 4045... 1 1/2" Female N.P.T. inlet x Male hose thread outlet

Suffix must be added for pressure range needed:

- T15 - T20 - T25 - T30 - T35

To Select Proper Valve,
See Charts on Back

FOR FACTORY TAGGING OF VALVE LOCATION SPECIFY:

1. Exact location by pressure range suffix of each valve.

OPTIONAL FINISH

- C Rough Chrome Plated

THREADS:

N.S.T.
 OTHER _____

DIMENSIONS ARE SUBJECT TO MANUFACTURERS TOLERANCE AND CHANGE WITHOUT NOTICE. WE ASSUME NO RESPONSIBILITY FOR USE OF SUPERSEDED OR VOID DATA.

DATE
1-3-92

NOTE: The in-line installation of a "REG-U-MATIC™" sets up a closed system. A relief valve should be installed to eliminate excessive pressure build up due to line surges.

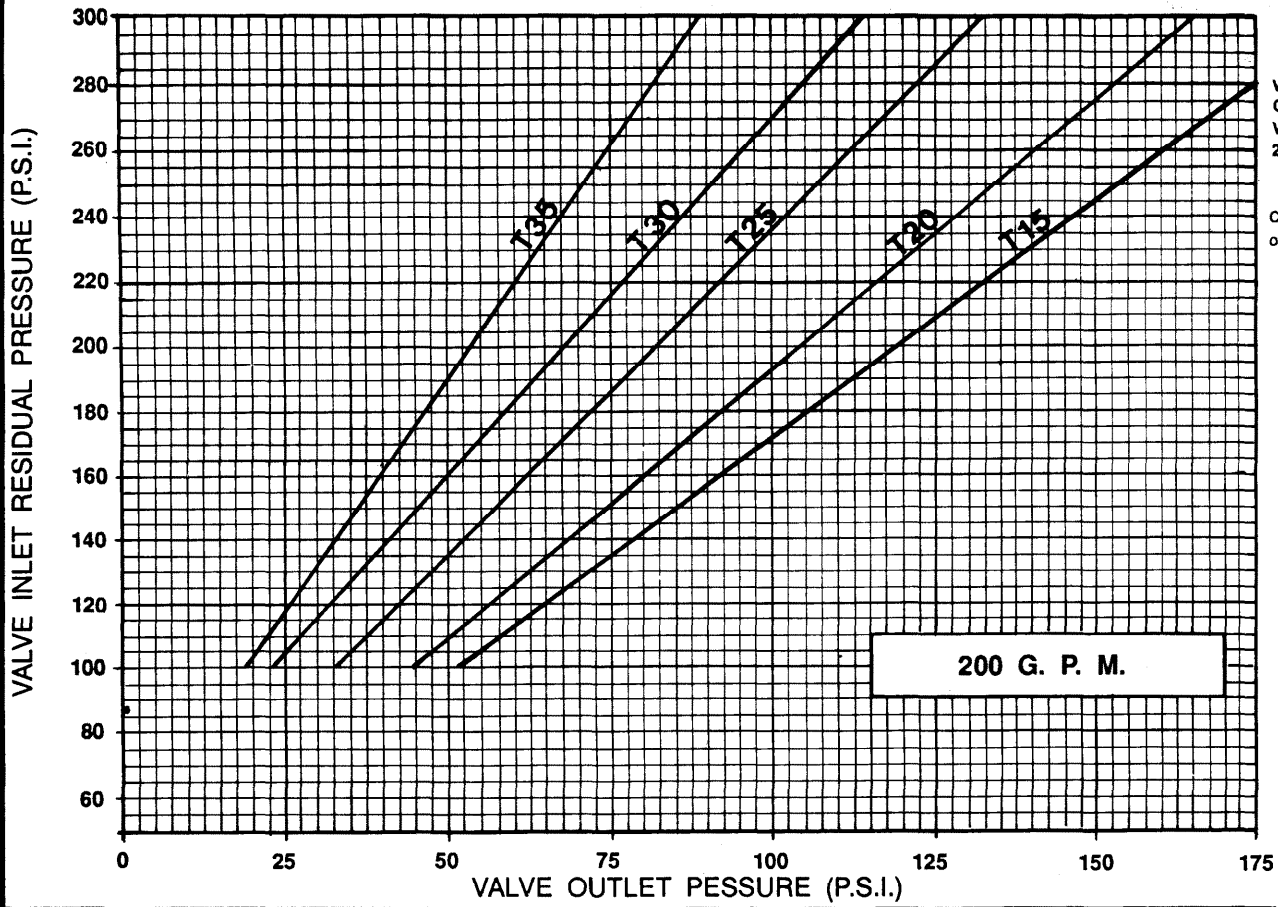
FIGURE NUMBER
4042-4045

PRESSURE REGULATING VALVE SELECTION CHART.

U/L Listed

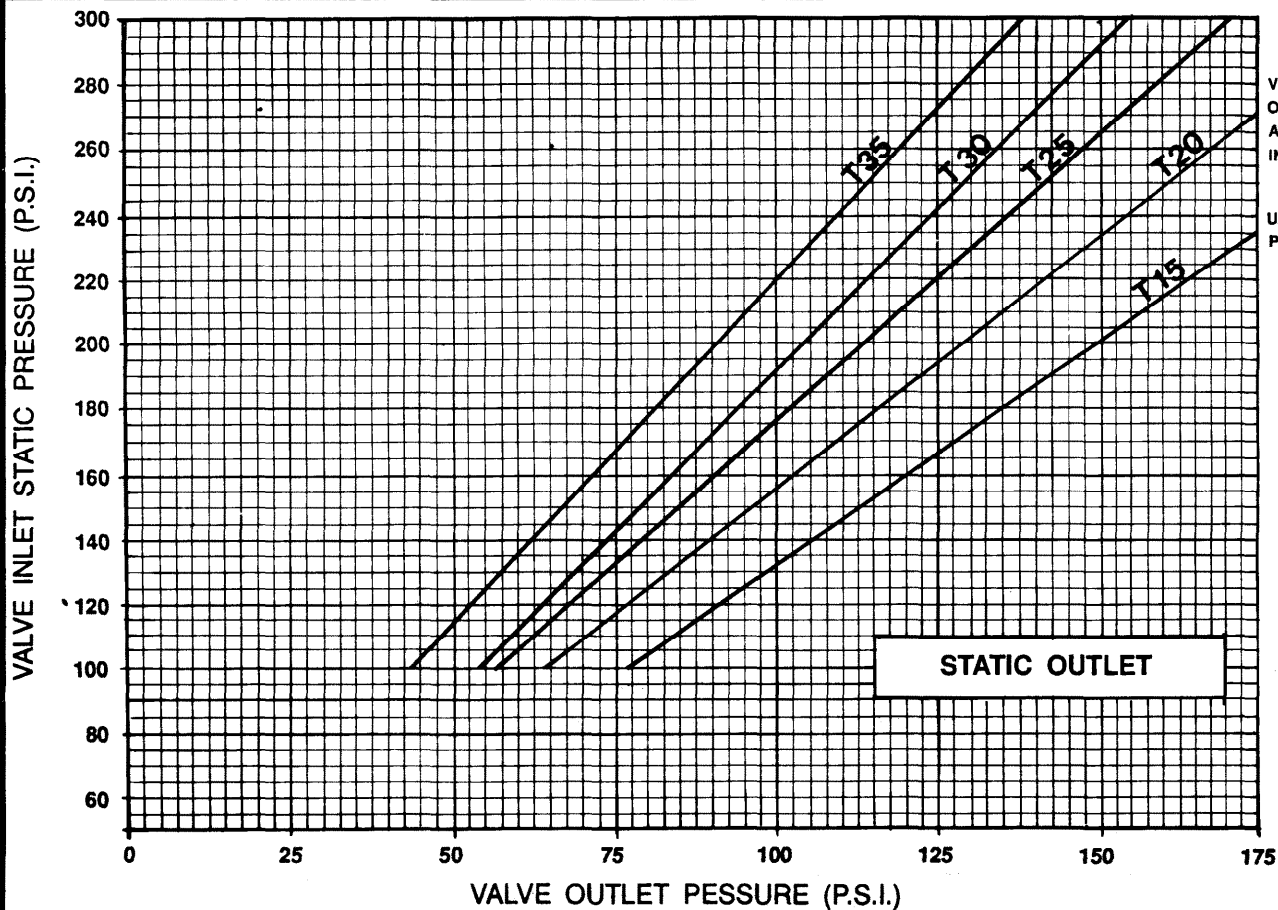
(Fig. 4042 and 4045)

RATED 300 P.S.I.



VALVE RESIDUAL
OUTLET PRESSURE
WHILE FLOWING
200 G.P.M.

Charts available for
other flows.



VALVE STATIC
OUTLET PRESSURE
AT VARYING STATIC
INLET PRESSURES

U/L Max. Rated Inlet
Pressure

P.S.I.	Type
225	15
250	20
250	25
300	30
300	35