

Call Potter-Roemer for current listings and approvals. Dimensions are subject to manufacturers tolerance and change without notice. We assume no responsibility for use of superseded or void data.



HOSE GATE VALVES

DESIGNED FOR DRY SYSTEMS ONLY

WITH RISING STEM

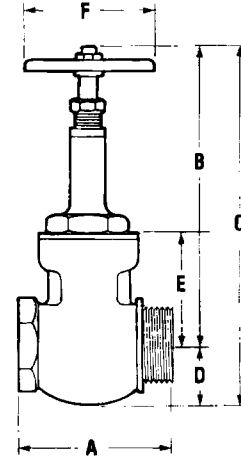
REGULARLY FURNISHED: Cast brass valve with rising stem, red hand wheel. Female N.P.T. inlet x male hose thread outlet. Brass solid wedge disc and tapered set.

- OPTIONAL FINISHES:** - B Polished Brass
 - C Rough Chrome Plated
 - D Polished Chrome Plated

THREADS: N.S.T. OTHER _____

✓	Fig. No.	Size	Pressure	Closed Open							
				A	B	C	C	D	E	F	
	4215	2½	200 lb.	5¾	12½	15	17½	2½	4½	5¾	
	4235	3x2½	300 lb.	6¼	12½	15	18	2½	4½	5¾	
	4240	3	300 lb.	7½	14½	17½	21	3	5½	7	

ALL DIMENSIONS IN INCHES



WITH NON-RISING STEM

REGULARLY FURNISHED: Cast brass valve with non-rising stem, red hand wheel. Female N.P.T. inlet x male hose thread outlet. Brass solid wedge disc and tapered seat.

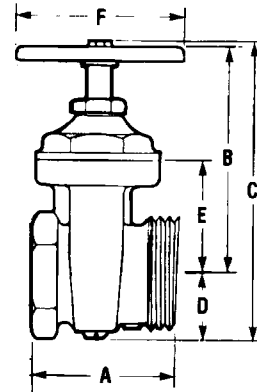
- OPTIONAL FINISHES:** - B Polished Brass
 - C Rough Chrome Plated
 - D Polished Chrome Plated

THREADS: N.S.T. OTHER _____

✓	Fig. No.	Size	Pressure	A	B	C	D	E	F
	4305	1½"	200 lb.	5	6	7½	1½	2½	3¼
	4315	2½	300 lb.	5¼	7¾	9¾	2	3½	5¼
	4335	3x2½	300 lb.	5¼	7¾	9¾	2	3½	5¼

*NOT U/L LISTED

ALL DIMENSIONS IN INCHES



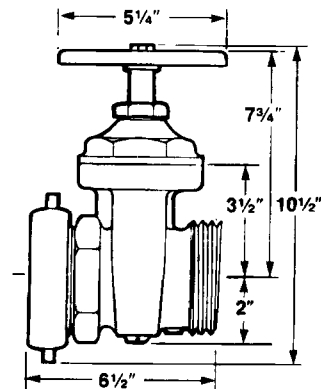
2½" WITH NON-RISING STEM AND SWIVEL INLET

REGULARLY FURNISHED: Brass valve with non-rising stem. Red hand wheel, pin lug swivel female hose thread, inlet x male hose thread outlet. Brass solid wedge disc and tapered seat.

- THREADS:**
 N.S.T.
 OTHER _____

NOTE: Not FM approved

Fig. 4365



CAST BRASS CAP WITH CHAIN.

Fig.	Size	CAP VARIATION:
<input type="checkbox"/> 4615	1½"	<input type="checkbox"/> With Rocker Lugs
<input type="checkbox"/> 4625	2½"	THREADS: <input type="checkbox"/> N.S.T.
<input type="checkbox"/> 4630	3"	<input type="checkbox"/> OTHER _____

CAST BRASS FLANGE WITH SET SCREW.

Fig.	Size	O.D.
<input type="checkbox"/> 4711	1½"	3"
<input type="checkbox"/> 4712	2½"	6¼"
<input type="checkbox"/> 4713	3"	7"

OPTIONAL FINISHES:

- B Polished Brass - C Rough Chrome Plated
 - D Polished Chrome Plated

DATE
9-1-89

FIGURE NUMBER

4200-4365