



# FLUSH FIRE PUMP TEST CONNECTIONS AND VARIATIONS

**REGULARLY FURNISHED:** Cast brass body with end inlet, size and number of outlets as selected by figure number. Brass plate lettered "PUMP TEST CONNECTION," Brass NRS hose gate valves with loose bonnets, 3" female, NPT inlet x 2 1/2" Male hose thread outlet, with caps and chains.

**OPTIONAL FINISHES:**

- B Polished Brass on Exposed Parts
- C Rough Chrome Plated on Exposed Parts
- D Polished Chrome Plated on Exposed Parts

**THREADS:**

- NST
- Other

| ✓ | Fig. No. | Pump Size G.P.M. | Inlet Size | Number Outlets | A       | B      | C      | D   |
|---|----------|------------------|------------|----------------|---------|--------|--------|-----|
|   | 5862     | 500              | 4"         | 2              | 15 1/4" | 5 1/4" | 6"     | 16" |
|   | 5863     | 750              | 6"         | 3              | 22 1/4" | 6 1/4" | 6 3/4" | 23" |
|   | 5864     | 1000             | 6"         | 4              | 28 3/4" | 7 3/4" | 7 3/4" | 30" |
|   | 5865     | 2000             | 8"         | 6              | 43"     | 7 3/4" | 9 3/4" | 44" |

**BODY MATERIAL**

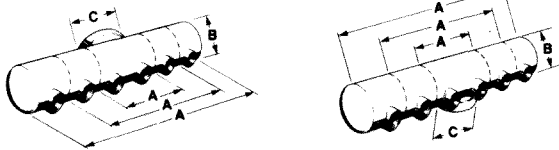
**REGULARLY FURNISHED:** Ductile iron body with red glossy polyester coating. Inlet size, location and number of outlets as selected by figure number and as indicated on Variation Selection chart.

- 1 with Ductile Iron Body

**BODY INLET LOCATIONS**

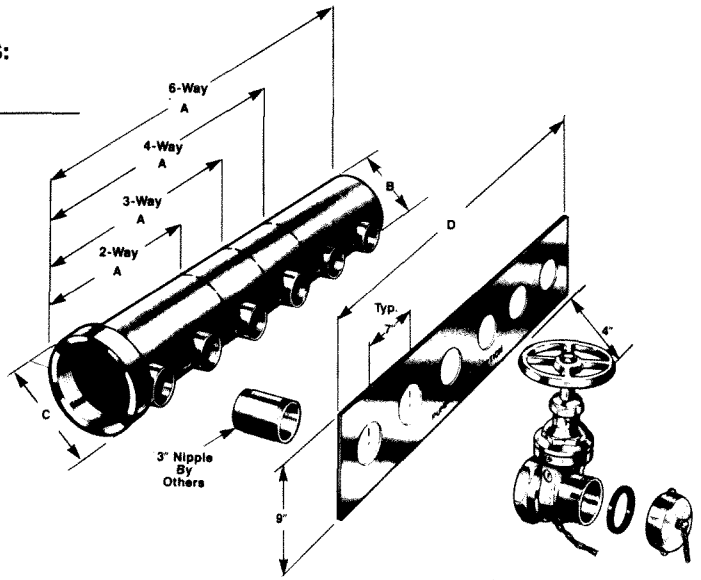
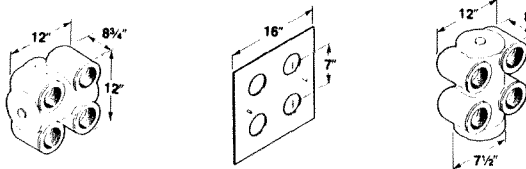
**REGULARLY FURNISHED:** Brass or ductile iron body. Inlet size, location and number of outlets as selected by figure number and as indicated on Variation Selection chart.

- 2 with Back Inlet
- 3 with Angle Inlet



**REGULARLY FURNISHED:** Square four way brass or ductile iron body. Back or angle inlet as selected by suffix number as indicated on Variation Selection chart.

- 4 with Square Body Back Inlet
- 5 with Square Body Angle Inlet



**OUTLETS**

**REGULARLY FURNISHED:**

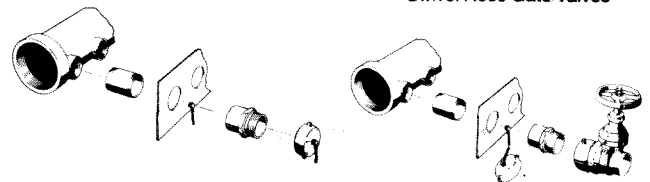
Male 2 1/2" hose thread snoots with cap and chain instead of affixed valves. Number of outlets as selected by figure number and as indicated on Variation Selection chart.

- 6 with Male Snoots, Caps and Chains

**REGULARLY FURNISHED:**

Male 2 1/2" hose thread snoots with cap and chain, swivel inlet hose gate valve with male hose thread outlet. Number of outlets as selected by figure number and as indicated on Variation Selection chart.

- 7 with Male Snoots, Caps and Chains, and Removable Swivel Hose Gate Valves



**VARIATION SELECTION CHART**

| ✓ | Suffix No.  | Figure No. |      |      |      |
|---|---|------------|------|------|------|
|   |   | 5862       | 5863 | 5864 | 5865 |
|   | <b>Body Material</b>  |            |      |      |      |
|   | - 1 Ductile Iron  | ✓          | -    | ✓    | -    |
|   | <b>Body Inlet</b>   |            |      |      |      |
|   | - 2 Back  | ✓          | -    | ✓    | ✓    |
|   | - 3 Angle   | ✓          | -    | ✓    | ✓    |
|   | - 4 Sq. Back, Brass or Ductile  | -          | -    | ✓    | -    |
|   | - 5 Sq. Angle, Brass or Ductile   | -          | -    | ✓    | -    |
|   | <b>Outlets</b>  |            |      |      |      |
|   | - 6 Male Snoots, Caps, and Chains                                       | ✓          | ✓    | ✓    | ✓    |
|   | - 7 Male Snoots, Caps and Chains, and Removable Swivel Hose Gate Valves | ✓          | ✓    | ✓    | ✓    |

DIMENSIONS ARE SUBJECT TO MANUFACTURERS TOLERANCE AND CHANGE WITHOUT NOTICE. WE ASSUME NO RESPONSIBILITY FOR USE OF SUPERSEDED OR VOID DATA.