



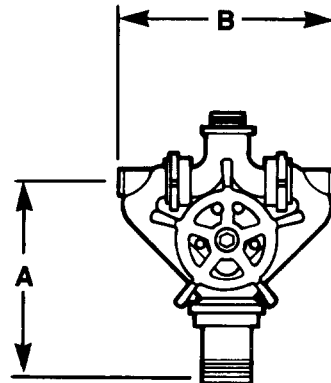
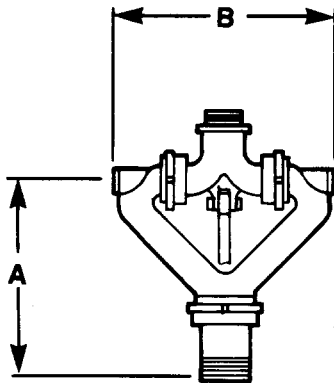
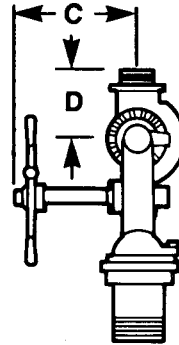
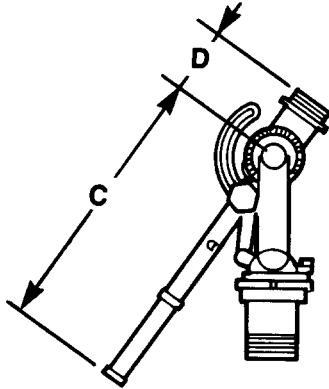
Cerritos, California
Union, New Jersey

Fire Protection Products

A Subsidiary of Jay R. Smith Mfg. Co.



DOUBLE WATERWAY MONITOR



LEVER OPERATED

GEAR OPERATED

REGULARLY FURNISHED: Cast brass body with red enamel finish and polished brass trim, less nozzle. Cast iron lever with positive locking control. Grease fitting at swivel joints for lubrication, 2½" NST male outlet. Rated gallonage selected by Figure Number.

REGULARLY FURNISHED: Cast brass body with red enamel finish and polished brass trim, less nozzle. Single wheel vertical worm and gear control. Grease fittings at swivel joints for lubrication, 2½" male outlet. Rated gallonage selected by Figure Number.

- Fig. Rated Gallonage**
- 6431500 GPM
 - 64321000 GPM

- Fig. Rated Gallonage**
- 6436500 GPM
 - 64371000 GPM

OPTIONAL FINISH: — D Polished Chrome Plated Trim.

OPTIONAL FINISH: — D Polished Chrome Plated Trim.

MONITOR DIMENSIONS AND BASE OPTIONS

Waterway	G.P.M.	Fig. No.	A	B	C	D	Base Options	Available Bases
Single	750	6404-6407-6410-6421	32	24			P-Q-R-S-W-X	P - 2½" Male
	1200	6405-6408-6422	32	24			R-S-W-X	Q - 2½" Female
	2000	6406-6409	32	24			U-X	R - 3" Male
Double	500	6431	14½	15	19	3¾	Q-R-X	S - 3" Female
	1000	6432	19	17	25	5⅞	T-U-X	T - 3½" Female
	500	6436	14½	15	8	3¾	Q-R-X	U - 4" Male
	1000	6437	19	17	8	5⅞	T-U-X	W - 3" 125 lb. A.S.A. Flange
								X - 4" 125 lb. A.S.A. Flange

DATE
3-1-86

FIGURE NUMBER

6431-6437

DIMENSIONS ARE SUBJECT TO MANUFACTURERS TOLERANCE AND CHANGE WITHOUT NOTICE. WE ASSUME NO RESPONSIBILITY FOR USE OF SUPERSEDED OR VOID DATA.