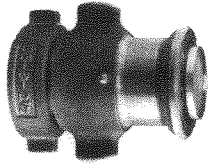




MONITOR NOZZLES AND ACCESSORIES

ADJUSTABLE MASTER STREAM NOZZLES



6441-6442

BRASS

REGULARLY FURNISHED:
Cast brass nozzle with satin finish, twist control, and grease fitting for lubrication 2½" NST base. Rated gallonage as selected by Figure Number.



6445-6449

ALUMINUM

REGULARLY FURNISHED:
Lightweight aluminum alloy nozzle with hard anodized finish. Twist control, and grease fitting for lubrication. Rated gallonage as selected by Figure Number.

Fig.		G.P.M.
<input type="checkbox"/> 6441	300 GPM
<input type="checkbox"/> 6442	500 GPM

Fig.	G.P.M.	Size
<input type="checkbox"/> 6445	300	2½"
<input type="checkbox"/> 6446	500	2½"
<input type="checkbox"/> 6447	750	2½"
<input type="checkbox"/> 6448	1000	2½"
<input type="checkbox"/> 6449	2000	3½"

NOTE ON AFFF: When used for aqueous film-foaming foam (AFFF) application, above nozzles should be used with pre-mixed AFFF/water mixture in correct proportions. Contact Potter-Roemer for additional information.

STREAM STRAIGHTENER

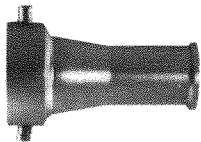


6450

REGULARLY FURNISHED: 2½" x 15" polished brass tube NST female base X NST male outlet.

OPTIONAL FINISH: Polished Chrome Plated.

STRAIGHT STREAM NOZZLE

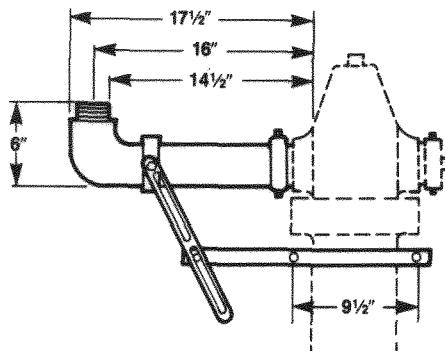


6456-6457

REGULARLY FURNISHED: Polished brass nozzle with 2½" NST base thread. Length as selected by Figure Number.

Fig.		TIP ORIFICE OPTION: Specify
<input type="checkbox"/> 6456 6¼" Length for 500 GPM 1" thru 1¾"
<input type="checkbox"/> 6457 9" Length for 1000 GPM 1" thru 2½"

OPTIONAL FINISH: Polished Chrome Plated.



HYDRANT MOUNT

REGULARLY FURNISHED: Cast brass waterway with 2½" NST female swivel inlet and 2½" or 3" NPT male outlet. Adjustable aluminum alloy mounting brackets with red enamel finish and mounting hardware.

SPECIFY: Size of outlet.

VARIATION: 3" or 4" A.S.A. 150 lb. flange outlet.

DIMENSIONS ARE SUBJECT TO MANUFACTURERS TOLERANCE AND CHANGE WITHOUT NOTICE. WE ASSUME NO RESPONSIBILITY FOR USE OF SUPERSEDED OR VOID DATA.