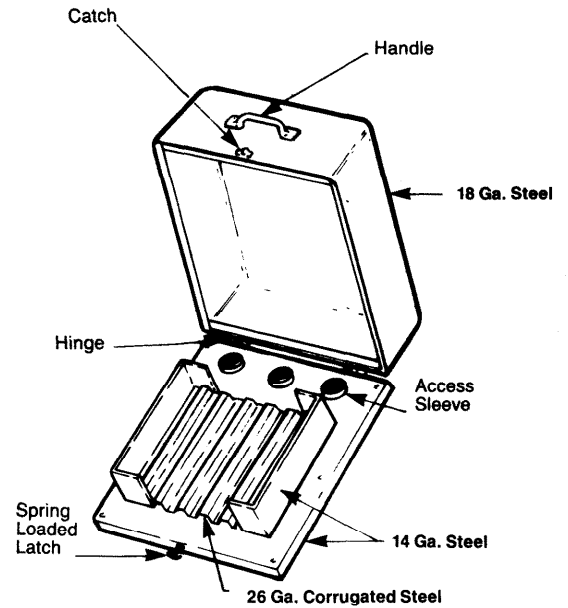
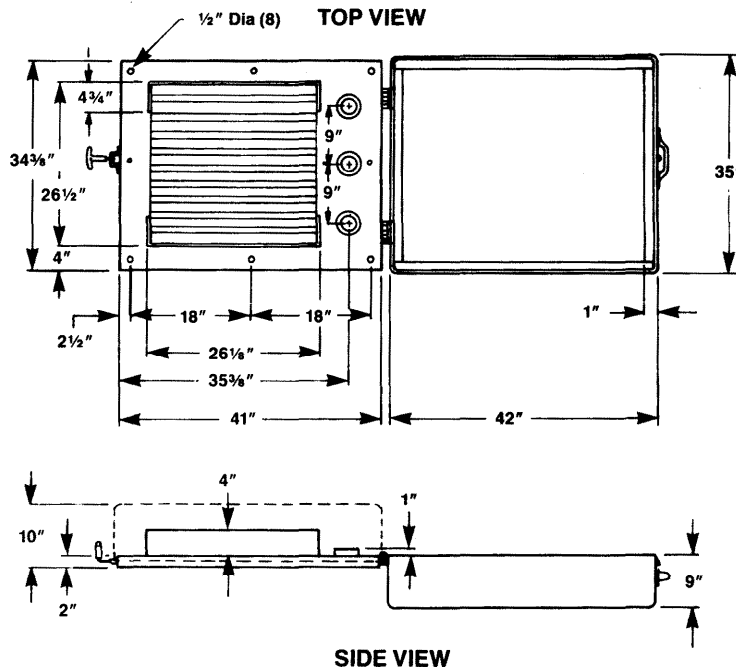




ROOF HOUSE



REGULARLY FURNISHED: Red glossy polyester coated 14 gauge steel base, 26 gauge corrugated galvanized steel platform and 18 gauge steel cover. Cover provided with spring-loaded latch, handle, stainless steel continuous hinge and 4 inch high FIRE HOSE lettering. Three access sleeves accommodate connections into building. Roof curbing by others.



DIMENSIONS ARE SUBJECT TO MANUFACTURERS TOLERANCE AND CHANGE WITHOUT NOTICE. WE ASSUME NO RESPONSIBILITY FOR USE OF SUPERSEDED OR VOID DATA.

OPTIONAL MATERIAL: — RF Red Fiberglass Top

MINIMUM EQUIPMENT (Must Be Ordered Separately)

- FIG. 4119 1/2" Double Female Valve with Extended Stem
Specify Stem Length _____
- FIG. 4120 1 1/2" Double Female Valve with Extended Stem
Specify Stem Length _____
- FIG. 2901 1 1/2" Single Jacket Lined 300 lb. Test Hose
Specify Length _____ (100' MAX)
- FIG. 2934 1 1/2" Brass Hose Couplings
- FIG. 2962 1 1/2" Brass Fog Nozzle
- FIG. 2830 1 1/2" Brass Double Male Adapter

OPTIONAL EQUIPMENT

HOSE

- Fig. 2911 Double Jacket Lined 600 lb. Test
- Fig. 2915 Single Jacket Lined 500 lb. Test Polyflex
- Fig. 2926 Single Jacket Lined 500 lb. Test PR Superflex
- UL Label for Above Hose

VALVES

- Fig. 5981 Automatic Drain Device

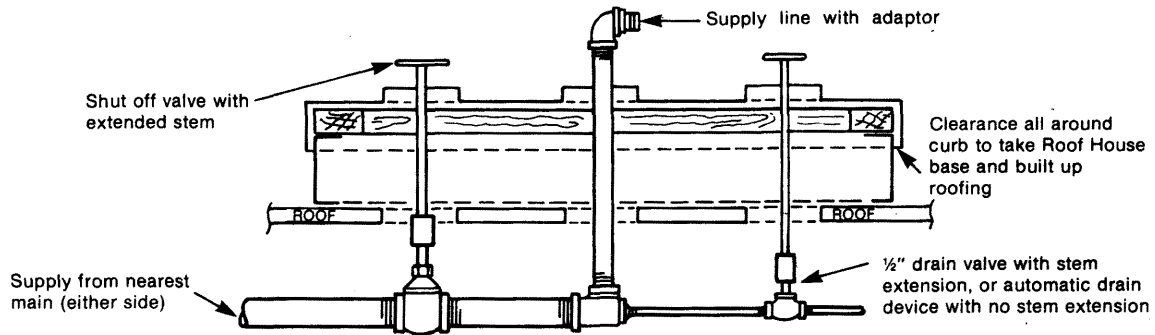
COUPLINGS

- Fig. 2935 with Rocker Lugs

FOG NOZZLES

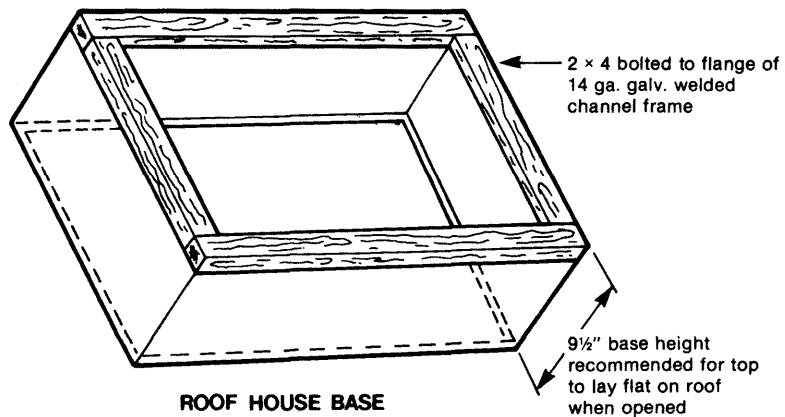
- Fig. 2960 Red Lexan Plastic
- Fig. 2972 Brass with Rubber Bumper
- Fig. 2980 Red Lexan Plastic "All-Fog"
- Fig. 2985 Brass with Rubber Bumper "All-Fog"
- Fig. 2993 Brass Fixed-Flow

ROOF HOUSE INSTALLATION INSTRUCTIONS

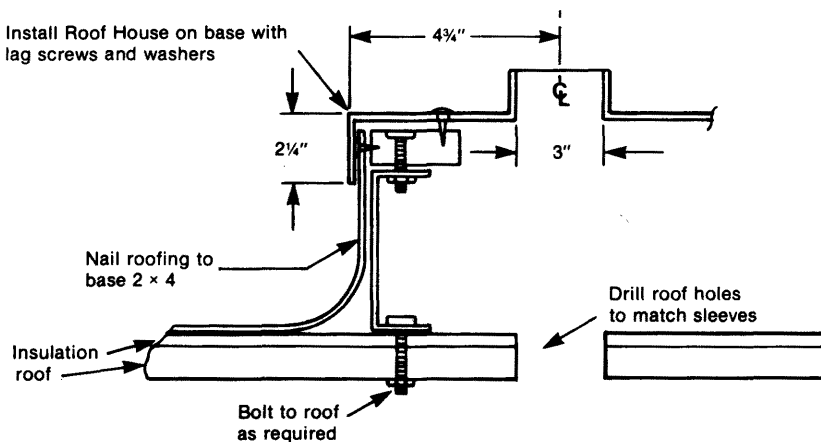


SIDE VIEW-TYPICAL INSTALLATION

ROOF HOUSE BASE TO BE FURNISHED BY INSTALLER



Install Roof House on base with lag screws and washers



SECTION VIEW