

HOSE VALVES

POTTER-ROEMER



A Division of Smith Industries, Inc.

ANGLE

FEMALE x MALE

FUNCTION: Used with a fire hose rack assembly or as a fire dept outlet connection.

REGULARLY FURNISHED: Cast brass valve with red handwheel. Female NPT inlet x male hose thread outlet. 300 PSI/20.6 bars.

Model

4060 1½"/3.8 cm Size

4065 2½"/6.4 cm Size

SPECIFY: Thread

OPTIONAL FINISHES:

- B Polished Brass
- C Rough Chrome Plated
- D Polished Chrome Plated

VARIATIONS:

Extended stem up to 24"/61 cm, **SPECIFY:** Length ½"/.3 cm petcock **SPECIFY:** Location.

Size	UL Listed	FM Approval	A in. cm	B in. cm	Closed C in. cm	Open C in. cm	D in. cm	E in. cm
1½" 3.8cm	YES	YES	2¼ 5.7	3½ 8.9	6½ 16.5	7½ 19	2½ 6.4	2 5
2½" 6.4cm	YES	YES	3½ 8.9	5 12.7	9½ 24.1	11½ 29.2	3½ 8.9	2¼ 6.9

DOUBLE FEMALE

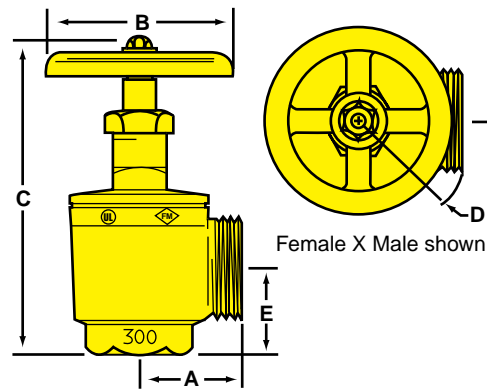
FUNCTION: Used with a fire hose rack assembly.

REGULARLY FURNISHED: Cast brass valve with red handwheel. Female NPT inlet and outlet. 300 PSI/20.6 bars.

Model

4070 1½"/3.8 cm Size

4075 2½"/6.4 cm Size



4060 & 4065



4070 & 4075

ADJUSTABLE PRESSURE RESTRICTING ANGLE VALVE

FEMALE x MALE

FUNCTION: Used with a fire hose rack assembly or as a fire dept outlet connection. Water pressure is controlled by adjustable flow restriction. If full flow is required, the restriction may be overridden.

REGULARLY FURNISHED: Cast brass valve with red handwheel with pressure restricting feature. Female NPT inlet x male hose thread outlet. 175 PSI/12 bars rated. Furnished with field setting chart.

Model

4080 1½"/3.8 cm Size

4085 2½"/6.4 cm Size

SPECIFY: Thread

OPTIONAL FINISHES:

- B Polished Brass
- C Rough Chrome Plated
- D Polished Chrome Plated

Size	UL Listed	FM Approval	A in. cm	B in. cm	Closed C in. cm	Open C in. cm	D in. cm	E in. cm
1½" 3.8cm	YES	NO	2¼ 5.7	3½ 8.9	6½ 16.5	7½ 19	2½ 6.4	2 5
2½" 6.4cm	YES	NO	3½ 8.9	5 12.7	9½ 24.1	11½ 29.2	3½ 8.9	2¼ 6.9

DOUBLE FEMALE

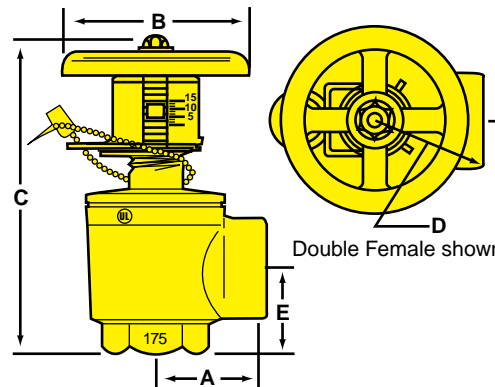
FUNCTION: Used with a fire hose rack assembly. Water pressure is controlled by adjustable flow restriction. If full flow is required, the restriction may be overridden.

REGULARLY FURNISHED: Cast brass valve with red handwheel with pressure restricting feature. Female NPT inlet and outlet. 175 PSI/12 bars rated. Furnished with field setting chart.

Model

4090 1½"/3.8 cm Size

4095 2½"/6.4 cm Size



4080 & 4085



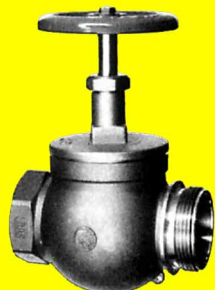
4090 & 4095

NOTE: ALWAYS INDICATE HOSE THREAD REQUIREMENTS

All dimensions in English and Metric.



HOSE VALVES



STRAIGHT GLOBE FEMALE x MALE

FUNCTION: Used with a fire hose assembly or as a fire dept outlet connection.

REGULARLY FURNISHED: Cast brass valve with red handwheel. Female NPT inlet x male hose thread outlet.

Model
 4110 1½"/3.8 cm Size
 4115 2½"/6.4 cm Size

SPECIFY: Thread

4110 & 4115



DOUBLE FEMALE

FUNCTION: Used with a fire hose rack assembly or as a drain valve.

REGULARLY FURNISHED: Cast brass valve with red handwheel. Female NPT inlet and outlet.

Model
 4119 ½"/1.3 cm Size
 4120 1½"/3.8 cm Size
 4125 2½"/6.4 cm Size

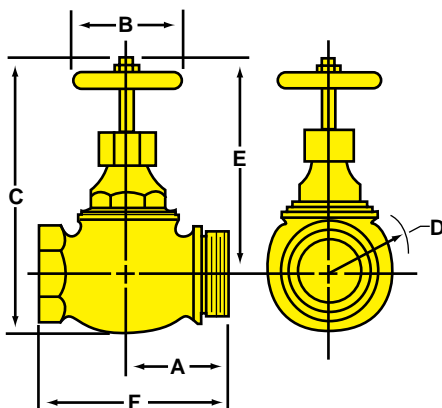
SPECIFY: Thread

OPTIONAL FINISHES:

- B Polished Brass
- C Rough Chrome Plated
- D Polished Chrome Plated

VARIATIONS:

Extended stem up to 24"/61 cm **SPECIFY:** Length



Size in. cm	A in. cm	B in. cm	Closed C in. cm	Open C in. cm	D in. cm	E in. cm	F in. cm
½ 1.2	⅜ 0.3	2 5	4 10.2	4¼ 10.7	1 2.5	3⅞ 8.5	2¼ 5.7
1½ 3.8	2½ 6.4	3½ 8.9	7¼ 18.4	8¼ 20.9	3 7.6	5¼ 14.6	5½ 14
2½ 6.4	3½ 8.9	5 12.7	10¼ 26	11¼ 28.5	3½ 8.9	8¼ 20.9	7 17.8

4119-4125

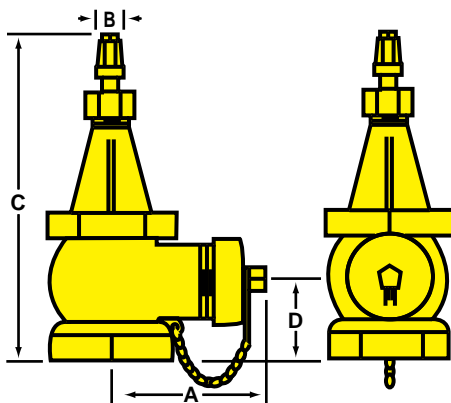
HYDRANT

FUNCTION: Used as a fire dept outlet connection. Designed to prevent unauthorized use.

REGULARLY FURNISHED: Cast brass valve with brass pentagonal operating nut. Female NPT inlet x male hose thread outlet. Brass cap and chain. 300 PSI/20.6 bars.

Model
 4141 1½"/3.8 cm Size
 4142 2½"/6.4 cm Size
 4143 4" x 2½"/10.2 x 6.4 cm Size

SPECIFY: Thread

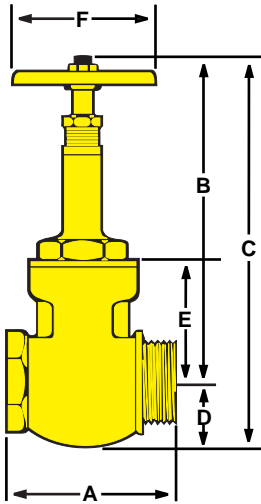


Size in. cm	UL Listed	FM Approval	A in. cm	B in. cm	Closed C in. cm	Open C in. cm	D in. cm
1½ 3.8	YES	YES	3 7.6	1½ 2.8	6½ 16.5	7½ 19.2	2 5
2½ 6.4	YES	YES	4 10.2	1½ 2.8	9½ 24.1	11½ 29.3	2¼ 6.9
4x2½ 10.2 x 6.4	NO	NO	7 17.7	1½ 2.8	13½ 34.2	15½ 39.3	3½ 8.8

4140 SERIES

HOSE GATE VALVES

WITH RISING STEM



FUNCTION: Used as a fire dept outlet connection, designed for dry systems only. Unrestricted waterway allows full flow. Suitable for use as a pump test valve.

REGULARLY FURNISHED: Cast brass valve with rising stem, red handwheel. Female NPT inlet x male hose thread outlet. Brass solid wedge disc and tapered seat.

- OPTIONAL FINISHES:**
- B Polished Brass
 - C Rough Chrome Plated
 - D Polished Chrome Plated

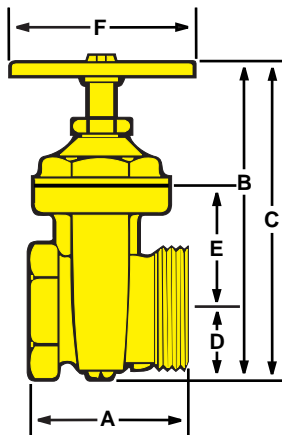
SPECIFY: Thread

Model No.	UL Listed	FM Approval	Size in. cm	Pressure PSI bars	A in. cm	B in. cm	Closed C in. cm	Open C in. cm	D in. cm	E in. cm	F in. cm
4215	YES	NO	2 1/2 6.4	200 13.7	5 1/4 14.6	12 1/2 31.7	15 38.1	17 1/2 44.4	2 1/2 6.4	4 1/2 11.4	5 1/4 14.6
4235	YES	NO	3x2 1/2 7.6x6.4	300 20.6	6 1/4 15.8	12 1/2 31.7	15 38.1	18 45.7	2 1/2 6.4	4 1/2 11.4	5 1/4 14.6



4215 & 4235

WITH NON-RISING STEM



FUNCTION: Used as a fire dept outlet connection, designed for dry systems only. Unrestricted waterway allows full flow. Suitable for use as a pump test valve. Non-rising stem feature requires less installation space.

REGULARLY FURNISHED: Cast brass valve with non-rising stem, red handwheel. Female NPT inlet x male hose thread outlet. Brass solid wedge disc and tapered seat.

- OPTIONAL FINISHES:**
- B Polished Brass
 - C Rough Chrome Plated
 - D Polished Chrome Plated
- SPECIFY:** Thread

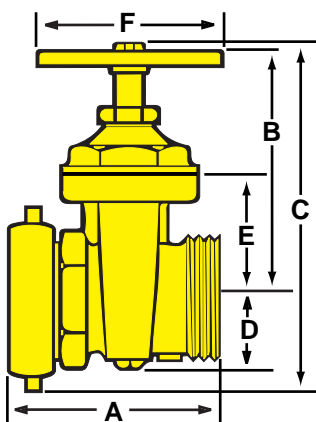
Model No.	UL Listed	FM Approval	Size in. cm	Pressure PSI bars	A in. cm	B in. cm	C in. cm	D in. cm	E in. cm	F in. cm
4305	YES	YES	1 1/2* 3.8	200 13.7	5 12.7	6 15.2	7 1/2 19	1 1/2 3.8	2 1/2 6.4	3 1/4 8.2
4315	YES	YES	2 1/2 6.4	300 20.6	5 1/4 13.3	7 1/4 19.6	9 1/4 24.7	2 5	3 1/2 8.9	5 1/4 13.3
4335	YES	YES	3x2 1/2 7.6x6.4	300 20.6	5 1/4 13.3	7 1/4 19.6	9 1/4 24.7	2 5	3 1/2 8.9	5 1/4 13.3



(4315 SHOWN)



4300 SERIES



2 1/2" / 6.3 cm WITH NON-RISING STEM AND SWIVEL INLET

FUNCTION: Used to control water outlet flow when space limitations or appearance preclude a permanent-type installation. Designed for dry systems only.

REGULARLY FURNISHED: Brass valve with non-rising stem. Red handwheel, pin lug swivel female hose thread inlet x male hose thread outlet. Brass solid wedge disc and tapered seat.

SPECIFY: Thread

Model No.	UL Listed	FM Approval	Size in. cm	Pressure PSI bars	A in. cm	B in. cm	C in. cm	D in. cm	E in. cm	F in. cm
4365	YES	YES	2 1/2 6.4	300 20.6	6 1/2 16.5	7 1/4 19.6	10 1/2 26.7	2 5	3 1/2 8.9	5 1/4 13.3



4365