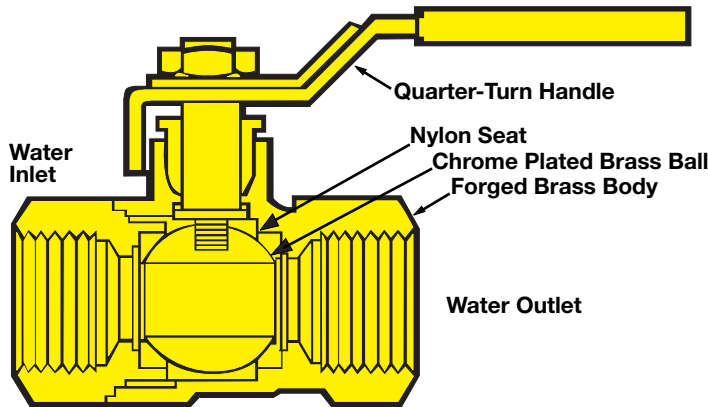




BALL VALVES, CAPS AND FLANGES

FEATURES OF BALL SHUT-OFF VALVES

- Large ports to minimize pressure drop and turbulence.
- Low torque operation.
- Speed of operation.
- Positive closure.
- Flow in either direction.
- Straight through flow.
- Forged strength up to 600 PSI/41.3 bars pressure rating.
- Ease of installation.
- Conserves space.



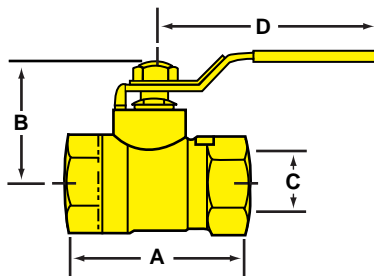
- Visual indication of operating condition — open or closed.
- Tested hydrostatically in the open and closed position.
- Simplicity of maintenance.
- Durability.
- Reliability.
- Listed by Underwriters Laboratories, Inc.
- Approved by Factory Mutual Research Corporation.

FUNCTION: Used in the trim assembly of alarm check, dry pipe and automatic water control valves. Used to manually control the flow of water to small, open-head extinguishing systems and as a zone control valve.

REGULARLY FURNISHED: Forged brass body. Cadmium plated vinyl insulated handle. Chrome plated brass ball with nylon seat. Female NPT inlet and outlet. Size as selected by model number.



4400 SERIES



Model No.	UL Listed	FM Approval	Size in. cm	A in. cm	B in. cm	C in. cm	D in. cm	Pressure Rating PSI bars
4405	YES	YES	1/2 1.2	2 3/16 5.5	1 3/8 3.4	.472 1.1	3 1/16 7.7	600 41.3
4407	YES	YES	3/4 1.9	2 1/2 6.4	1 3/4 4.4	.672 1.7	3 13/16 9.6	600 41.3
4410	YES	YES	1 2.5	3 7.6	1 7/8 4.7	.891 2.2	3 13/16 9.6	500 34.4
4412	YES	YES	1 1/4 3.1	3 7/16 8.7	2 1/16 5.2	1.109 2.8	3 13/16 9.6	500 34.4
4415	YES	YES	1 1/2 3.8	3 3/4 9.5	2 7/8 6	1.378 3.5	4 13/16 12.2	500 34.4
4420	YES	YES	2 5	4 7/8 11.1	2 11/16 6.8	1.772 4.5	4 13/16 12.2	500 34.4
4425	NO	NO	2 1/2 6.4	5 3/4 14.6	3 1/4 8.2	2.250 5.7	6 15.2	400 27.5
4430	NO	NO	3 7.6	6 1/4 15.8	3 1/2 8.9	2.625 6.6	6 15.2	400 27.5

CAPS AND CHAINS

FUNCTION: Used to cover and protect male threads on valves and hydrants. Discourages entry of foreign matter.

REGULARLY FURNISHED: Cast brass cap with female hose thread, pin lugs and chain.



4600 SERIES

Model	Size
4605	3/4" / 1.9 cm
4610	1" / 2.5 cm
4615	1 1/2" / 3.8 cm
4625	2 1/2" / 6.4 cm
4630	3" / 7.6 cm
4640	4" / 10.2 cm

OPTIONAL FINISHES:

- B Polished Brass
- C Rough Chrome Plated
- D Polished Chrome Plated

VARIATIONS: With rocker lugs (Suffix -RL) 2 1/2" / 6.4 cm and 3" / 7.6 cm size available in plastic (Suffix -P)

SPECIFY: Thread

FLANGES

FUNCTION: Used to trim pipe entry.

BRASS WITH SET SCREW

REGULARLY FURNISHED: Cast brass flange with set screw.

Model	Size
4711	1 1/2" / 3.8 cm
4712	2 1/2" / 6.4 cm
4713	3" / 7.6 cm

STAMPED STEEL SPLIT RING

REGULARLY FURNISHED: Chrome plated stamped steel split ring flange.

Model	Size
4723	2 1/2" / 6.4 cm
4733	3" / 7.6 cm



4711-4733

CHECK VALVES

POTTER-ROEMER

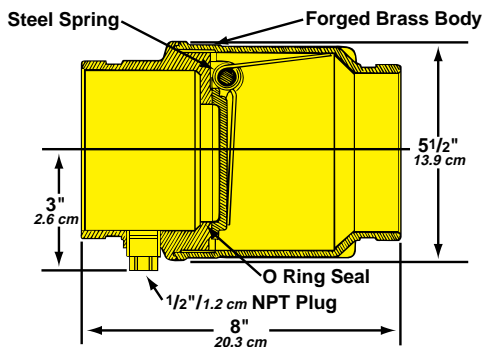


A Division of Smith Industries, Inc.

4" / 10.2 cm GROOVED

FUNCTION: Used to permit flow in designated direction only and to prevent backflow. Type of installation as selected by Model Number.

REGULARLY FURNISHED: 4" / 10.2 cm forged body with spring-loaded brass check, body tapered 1/2" / 1.3 cm NPT at inlet for ball drip.

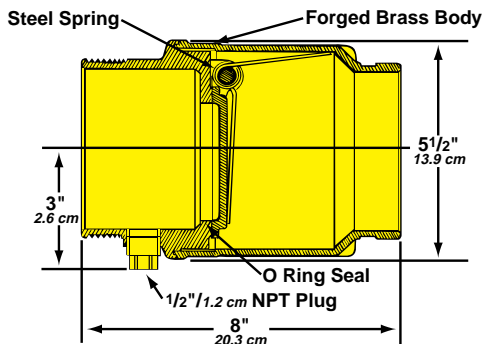


4510

4" / 10.2 cm MALE x GROOVED

FUNCTION: Used to permit flow in designated direction only and to prevent backflow. Type of installation as selected by Model Number.

REGULARLY FURNISHED: 4" / 10.2 cm forged body with spring-loaded brass check, body tapered 1/2" / 1.3 cm NPT at inlet for ball drip.

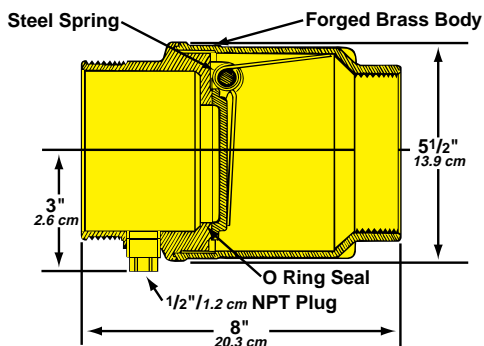


4515

4" / 10.2 cm MALE x FEMALE

FUNCTION: Used to permit flow in designated direction only and to prevent backflow. Type of installation as selected by Model Number.

REGULARLY FURNISHED: 4" / 10.2 cm forged body with spring-loaded brass check, body tapered 1/2" / 1.3 cm NPT at inlet for ball drip.



4520