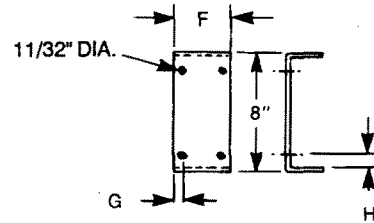
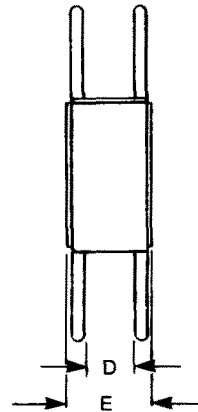
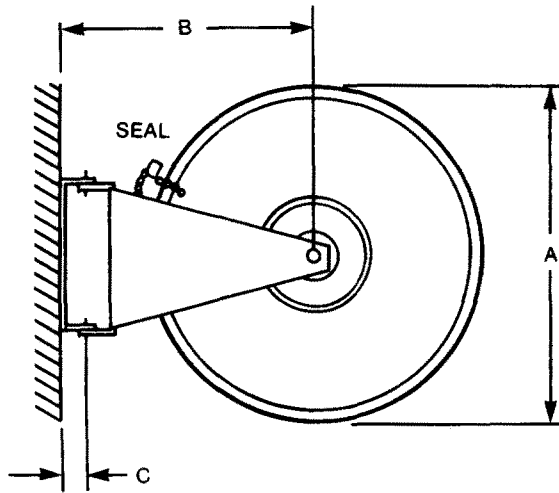




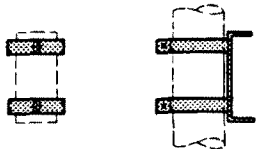
Call Potter-Roemer for current listings and approvals. Dimensions are subject to manufacturers tolerance and change without notice. We assume no responsibility for use of superseded or void data.

# HOSE REEL

**REGULARLY FURNISHED:** Reel 20 gauge steel welded construction with red glossy polyester coating. 12 gauge steel wall bracket bolted together to permit wide angle swing. Provided with breakable seal to prevent unrolling. Hose capacity as selected by Figure Number.



12 GA.  
 WALL MOUNTING  
 BRACKET



**OPTIONS:** -G Pipe Clamp  
 SPECIFY Pipe Size \_\_\_\_\_

✓	Figure Number	Reel Capacity								Dimensions								Material Gauge
		Polyflex		PR-Superflex		SingleJacket		DoubleJacket		A	B	C	D	E	F	G	H	
	2876	100'	-	50'	-	50'	-	-	-	17	15 1/2	2 1/4	3	4	2 3/4	1/2	1 1/8	20
	2877	150'	-	75'	-	75'	-	50'	-	23	15 1/2	2 1/4	3	4	2 3/4	1/2	1 1/8	20
	2878	200'	100'	150'	75'	150'	75'	100'	50'	23	17 1/2	2 1/4	5 3/4	6 1/2	2 3/4	1/2	1 1/8	20
	2879	-	200'	-	150'	-	150'	-	100'	23	20	3 1/4	9 1/2	10 1/4	10 1/4	1	1	20

ALL DIMENSIONS IN INCHES

DATE  
 4-4-94

FIGURE NUMBER  
 2875 SERIES