

SERIES 1300 FIRE HOSE CABINETS

For Use with Class II 1 1/2" Hose Rack Assembly & Fire Extinguisher

FIRE HOSE CABINET fabricated of Galvannealed Steel, 20ga. recessed box (18 ga. surface mounted box) 20 ga. tubular steel door with 18ga. frame and a continuous steel hinge. Left hand hinge standard. All components are powder-coated with an electrostatically-applied, thermally-fused, recoatable white polyester finish. All glass door styles provided with clear tempered safety glass. Wall mounting and size of cabinet as selected by model number.



MODEL 1304-A (Shown)

MODEL SELECTION

- 1302 Recessed
- 1304 Recessed
- 1306 Recessed
- 1312 Trimless
- 1314 Trimless
- 1316 Trimless
- 1332 Semi-Recessed
- 1334 Semi-Recessed
- 1336 Semi-Recessed
- 1342 Semi-Recessed
- 1344 Semi-Recessed
- 1346 Semi-Recessed
- 1352 Surface
- 1354 Surface
- 1356 Surface

DOOR STYLES (Select One)

- A Full Glass, w/ Tempered Safety Glass
- B Break-Glass, w/lock & Break Rite® Handle
- D Duo-Panel w/ Tempered Safety Glass
- DV Duo-Vertical Panel w/ Tempered Safety Glass
- DVL Duo-Vertical Panel w/ Lock, TSG & Break Rite® Handle.
- E Tempered Safety Glass (25 sq. in.) w/ Break Rite® Handle
- F Flush Solid Metal
- FS Flush Solid Metal w/ lock
- J Insert Panel
- (Specify) Optional inserts for glass-style doors
 - 5 Full Filmed Wire Glass
 - 6 1/8" Clear Acrylic

PRODUCT OPTIONS

DOOR AND FRAME MATERIAL:

- AL ALUMINUM: Clear Anodized Finish
Optional Duranodic Finish
 Light Medium Dark
- SS STAINLESS STEEL: 304 w/ #4 Finish
Optional Finish
 304 w/ #6 Dull Stain 304 w/ #8 Mirror
- PB BRASS: Polished Finish
- BZ BRONZE: Call for Options

OPTIONAL FINISHES TO DOOR AND FRAME ABOVE:

- RED: Powder Coat
- CUSTOM COLORS (Call for Options)

CABINET MODIFICATIONS:

- HF Horizontal Fold Cabinet
- DP Duplex Cabinet
- FP Flush Pull Handle
- RIGHT Right Hand Hinge

If option not shown contact factory.

**NOTE: DOOR STYLES -A, -D, -DV, -F, & -J PROVIDED w/ LEVER HANDLE/CAM LATCH

**NOTE: ALL GLASS DOOR STYLES PROVIDED WITH CLEAR TEMPERED SAFETY GLASS IN COMPLIANCE WITH ANSI Z97-1-1984

Call Potter Roemer - Fire Pro for current listings and approvals. Dimensions are subject to manufacturer's tolerance and may change without notice. Potter Roemer-Fire Pro assumes no responsibility for use of void or superceded data. © Copyright Potter Roemer- Fire Pro, Member of Morris Group International™ Please visit potterroemer.com for most current specifications.

1300 SERIES

Date: 07/10/24

MEMBERSHIP



POTTER ROEMER

Headquarters:
P.O. Box 3527
City of Industry, CA
91744 U.S.A.
Los Angeles Area
800-366-3473
626-855-4890

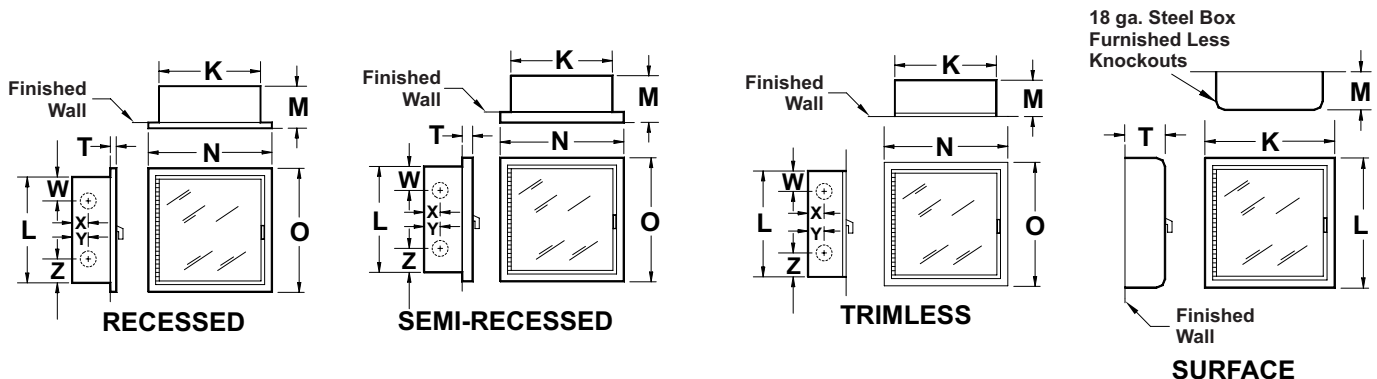
Also in:
New York (800) 526-4592
Chicago (800) 547-3473
Atlanta (800) 762-0542
Miami (833) 744-3473
Dallas (866) 644-3473

www.potterroemer.com

MODEL DIMENSIONS

Model No.	Wall Mounting	Max. Capacity		Inside Box Dimensions			Overall Frame		Wall Opening Required			Trim	Inlet Location				ADA
		Poly flex ft.	Super flex ft.	K	L	M	N	O	W I D T H	H E I G H T	D E P T H		T	W	X	Y	
1302	Recessed	75	50	30	30	8	33-3/4	33-3/4	31	31	8-1/2	5/8	4	4	2-3/4	4	Yes
1304	Recessed	100	75	30	36	8	33-3/4	39-3/4	31	37	8-1/2	5/8	4	4	2-3/4	4	Yes
1306	Recessed	100	100	30	40	8	33-3/4	43-3/4	31	41	8-1/2	5/8	4	4	2-3/4	4	Yes
1312	Trimless	75	50	30	30	8	33	33	31	31	9-1/4	-	4	4	2-3/4	4	Yes
1314	Trimless	100	75	30	36	8	33	39	31	37	9-1/4	-	4	4	2-3/4	4	Yes
1316	Trimless	100	100	30	40	8	33	43	31	41	9-1/4	-	4	4	2-3/4	4	Yes
1332	Semi-Recessed	75	50	30	30	8	33-1/4	32-1/4	31	31	5-3/4	2-3/4	4	4	2-3/4	4	Yes
1334	Semi-Recessed	100	75	30	36	8	33-1/4	38-1/4	31	37	5-3/4	2-3/4	4	4	2-3/4	4	Yes
1336	Semi-Recessed	100	100	30	40	8	33-1/4	43-1/2	31	41	5-3/4	2-3/4	4	4	2-3/4	4	Yes
1342	Semi-Recessed	75	50	30	30	8	33-1/4	32-1/4	31	31	3-3/4	4-3/4	4	4	2-3/4	4	No
1344	Semi-Recessed	100	75	30	36	8	33-1/4	38-1/4	31	37	3-3/4	4-3/4	4	4	2-3/4	4	No
1346	Semi-Recessed	100	100	30	40	8	33-1/4	43-1/2	31	41	3-3/4	4-3/4	4	4	2-3/4	4	No
1352	Surface	75	50	32	32	9-1/4	-	-	-	-	-	9-1/4	-	-	-	-	No
1354	Surface	100	75	32	38	9-1/4	-	-	-	-	-	-	-	-	-	-	No
1356	Surface	100	100	32	42	9-1/4	-	-	-	-	-	-	-	-	-	-	No

ALL DIMENSIONS ARE IN INCHES UNLESS OTHERWISE NOTED



<p>Call Potter Roemer - Fire Pro for current listings and approvals. Dimensions are subject to manufacturer's tolerance and may change without notice. Potter Roemer - Fire Pro assumes no responsibility for use of void or superseded data. © Copyright Potter Roemer - Fire Pro, Member of Morris Group International™ Please visit potterroemer.com for most current specifications.</p> <p>1300 SERIES</p>	<p>MEMBERSHIP</p>		<p>POTTER ROEMER</p> <p>Headquarters: P.O. Box 3527 City of Industry, CA 91744 U.S.A. Los Angeles Area 800-366-3473 626-855-4890</p> <p>Also in: New York (800) 526-4592 Chicago (800) 547-3473 Atlanta (800) 762-0542 Miami (833) 744-3473 Dallas (866) 644-3473</p> <p style="text-align: right;">www.potterroemer.com</p>
--	--------------------------	--	---