

# SERIES 2700 2-1/2" X 1-1/2" HOSE RACK ASSEMBLIES

**For Class III Service.** Used to provide an immediate and more efficient means of fire control. The assembly is capable of one-person and accepting the nationally recognized standard of 500 GPM/1892.6 Imp at 100 PSI/6.9 bars at the outlet of the valve.

## STANDARD COMPONENTS

- Model 4095 U/L ◀FM▶ 2 1/2"/6.4cm Restricting Angle Valve Rough Brass 300 PSI/20.7 bars
- Model 2951 Valve Escutcheon
- Model 2794 U/L ◀FM▶ 2 1/2"x1 1/2"/6.4x3.8cm Hose Rack Red Enamel
- Model 2756 2 1/2"/6.4cm Satin Brass Hose Rack Nipple
- Model 2810 2 1/2"/1 1/2"/6.4x3.8cm Satin Brass Reducer
- Model 2915 ◀FM▶ 1 1/2"/3.8cm Lined 500 PSI/34.5 bars Polyflex Hose
- Model 2930 1 1/2"/3.8cm Satin Brass Pin Lug Coupling
- Model 2962 1 1/2"/3.8cm Satin Brass Fog Nozzle
- Model 1985 Instructional Label

## MODEL SELECTION

- 2705 2 1/2" x 1 1/2" x 50"
- 2707 2 1/2" x 1 1/2" x 75"
- 2710 2 1/2" x 1 1/2" x 100"

## PRODUCT OPTIONS

### MOUNTING TYPES:

- E WALL BRACKET - 2-1/2" Model 4085 Rough Brass 175 lb. U/L Pressure Restricting Angle Valve
- G PIPE CLAMP - (For \_\_\_ Pipe) 2-1/2" Model 4085 Rough Brass 175 lb. U/L Pressure Restricting Angle Valve

### FINISHES:

- A Rack - Red Enamel  
Valve - Rough Brass  
Trim - Polished Brass
- B Rack - Red Enamel  
Valve - Polished Brass  
Trim- Polished Brass
- C Rack - Polished Chrome Plated  
Valve - Rough Chrome Plated  
Trim- Rough Chrome Plated
- D Rack - Polished Chrome Plated  
Valve - Polished Chrome Plated  
Trim- Polished Chrome Plated



## PRODUCT OPTIONS (cont.)

### EQUIPMENT:

- 17 Model 4021-FA2 2-1/2" Double Female Adjustable Pressure Regulating Angle Valve
- 19 Model 4050-FS2 Double Female Factory Set Pressure Regulating Angle Valve
- 21 Model 2915 Single Jacket Lined 300 lb. Test Polyflex U/L Labeled
- 23 Model 2926 Single Jacket Lined 500 lb. Test PR Superflex
- 24 Model 2926 Single Jacket Lined 500 lb. Test PR Superflex U/L Labeled
- 31 Model 2930 Rocker Lug Coupling
- 32 Model 2941 Extruded Aluminum Coupling
- 42 Model 2960 Red Lexan Plastic Fog Nozzle
- 43 Model 2972 Brass Fog Nozzle with Rubber Bumper
- 44 Model 2980 Red Lexan Plastic "All Fog" Nozzle
- 45 Model 2985 Brass "All Fog" Nozzle with Rubber Bumper
- 46 Model 2993 Brass Fixed-Flow Adjustable Nozzle
- 51 Model 4075 2-1/2" Double Female Angle Valve

Call Potter Roemer - Fire Pro for current listings and approvals. Dimensions are subject to manufacturer's tolerance and may change without notice. Potter Roemer - Fire Pro assumes no responsibility for use of void or superseded data. © Copyright Potter Roemer - Fire Pro, Member of Morris Group International™ Please visit [potterroemer.com](http://potterroemer.com) for most current specifications.

**2700 SERIES**

Date: 02/14/24

**MEMBERSHIP**



**FIRE EQUIPMENT MANUFACTURERS' ASSOCIATION**



## POTTER ROEMER

Headquarters:  
P.O. Box 3527  
City of Industry, CA  
91744 U.S.A.  
Los Angeles Area  
800-366-3473  
626-855-4890

Also in:  
New York (800) 526-4592  
Chicago (800) 547-3473  
Atlanta (800) 762-0542  
Miami (833) 744-3473  
Dallas (866) 644-3473

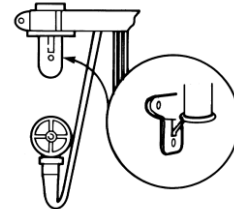
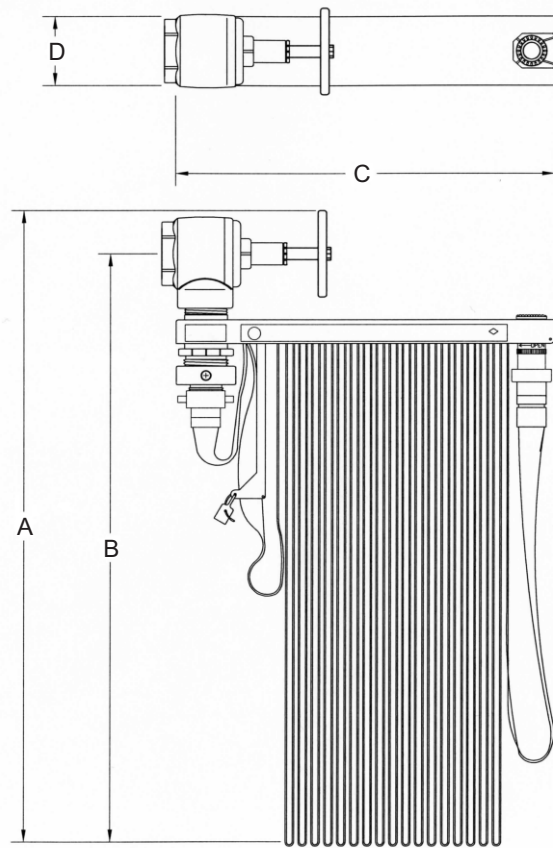
[www.potterroemer.com](http://www.potterroemer.com)

# SERIES 2700 2-1/2" X 1-1/2" HOSE RACK ASSEMBLIES

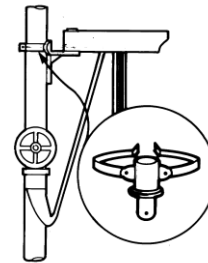
## MODEL DIMENSIONS

Model No.	Hose Length	Valve Size	Hose Dia.	Dimensions			
				A	B	C	D
2705	50'	2-1/2"	1-1/2"	25"	22-1/2"	18"	5"
2707	75'	2-1/2"	1-1/2"	27-1/2"	25"	18"	5"
2710	100'	2-1/2"	1-1/2"	32-1/2"	30"	18"	5"

NOTE: Add 4" to hose rack assembly dimension "C" for Model 2926 PR-Superflex Hose



-E WALL BRACKET



-G PIPE CLAMP

Call Potter Roemer - Fire Pro for current listings and approvals. Dimensions are subject to manufacturer's tolerance and may change without notice. Potter Roemer - Fire Pro assumes no responsibility for use of void or superseded data. © Copyright Potter Roemer - Fire Pro, Member of Morris Group International™ Please visit [potterroemer.com](http://potterroemer.com) for most current specifications.

**2700 SERIES**

**MEMBERSHIP**



FIRE EQUIPMENT  
MANUFACTURERS'  
ASSOCIATION



### POTTER ROEMER

Headquarters:  
P.O. Box 3527  
City of Industry, CA  
91744 U.S.A.  
Los Angeles Area  
800-366-3473  
626-855-4890

Also in:  
New York (800) 526-4592  
Chicago (800) 547-3473  
Atlanta (800) 762-0542  
Miami (866) 961-3473  
Dallas (866) 644-3473

[www.potterroemer.com](http://www.potterroemer.com)