

SERIES 2865 UL LISTED HOSE REEL ASSEMBLY**UL LISTED HOSE REEL ASSEMBLIES**

Single person operation. Reel fabricated of 20 gauge Galvannealed Steel with 12 gauge Galvannealed Steel wall bracket. Red powder-coated, electrostatically applied finish.

STANDARD COMPONENTS:

- Model 4060 1-1/2" Rough Brass 300 lb. UL-◀FM▶ Male x Female Angle Valve
- Model 2865 Series Steel Swinging Hose Reel with UL Listed Water Retention Device
- Model 2915 1-1/2" Single Jacket Lined 500 lb. Test Polyflex Hose (For Interior Standpipe)
- Model 2930 1-1/2" Satin Brass Pin Lug Coupling
- Model 2962 UL- Satin Brass Fog Nozzle

MODEL SELECTION

- 2866 50'
- 2867 75'
- 2868 100'

PRODUCT OPTIONS**FINISHES:**

- A Valve - Rough Brass
Trim - Polished Brass
- B Valve - Polished Brass
Trim- Polished Brass
- C Valve - Rough Chrome Plated
Trim- Rough Chrome Plated
- D Valve - Polished Chrome Plated
Trim- Polished Chrome Plated



MODEL 2866 (Shown)

PRODUCT OPTIONS (cont.)**VALVES:**

- 11 With Model 2765 Adjustable Brass Pressure Restricting Device
- 14 With Model 4080 1-1/2" Female x Male Adjustable Pressure Restricting Angle Valve
- 16 With Model 4015-FA3 1-1/2" Female x Male Adjustable Pressure Regulating Angle Valve
- 18 With Model 4045-FS2 1-1/2" Female x Male Factory Set Pressure Regulating Angle Valve

FIRE HOSES:

- 21 With Model 2915 1-1/2" Polyflex Hose
UL Labeled

COUPLING:

- 31 With Model 2930 -RL Rocker Lug Coupling

NOZZLES:

- 42 With Model 2960 Red Polycarbonate Fog Nozzle
- 43 With Model 2972 Brass Fog Nozzle with Rubber Bumper
- 44 With Model 2980 Red Polycarbonate "All Fog" Nozzle
- 45 With Model 2985 Brass "All Fog" Nozzle
With Rubber Bumper
- 46 Model 2993 Brass Fixed-Flow Fog Nozzle

Call Potter Roemer - Fire Pro for current listings and approvals. Dimensions are subject to manufacturer's tolerance and may change without notice. Potter Roemer - Fire Pro assumes no responsibility for use of void or superseded data. © Copyright Potter Roemer - Fire Pro, Member of Morris Group International™ Please visit potterroemer.com for most current specifications.

2865 SERIES

Date: 02/08/24

MEMBERSHIP

**FIRE EQUIPMENT
MANUFACTURERS'
ASSOCIATION**

ONFSA
NATIONAL FIRE SPRINKLER ASSOCIATION, INC.



CASPE
American Society of
Plumbing Engineers

**POTTER ROEMER**

Headquarters:
P.O. Box 3527
City of Industry, CA
91744 U.S.A.
Los Angeles Area
800-366-3473
626-855-4890

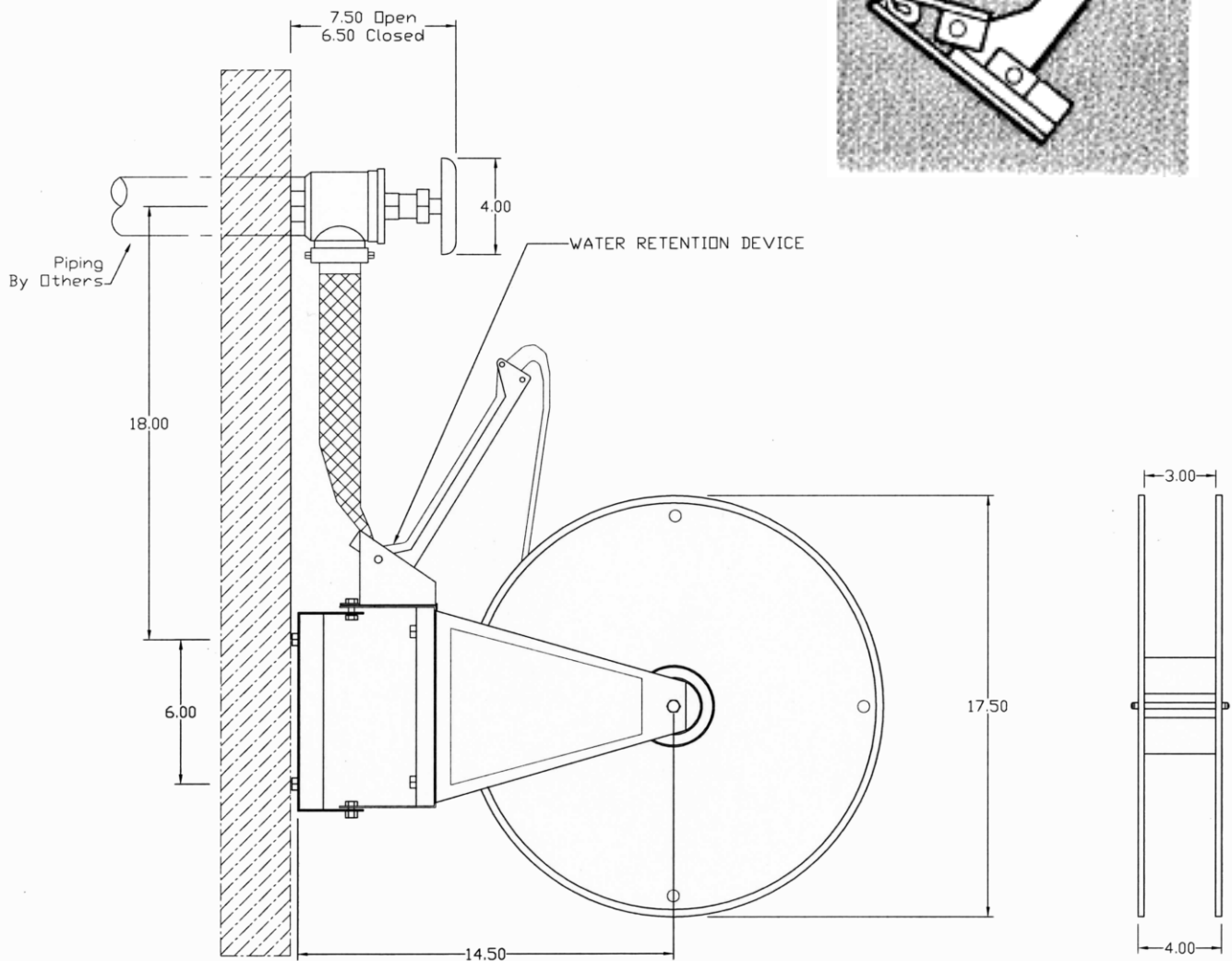
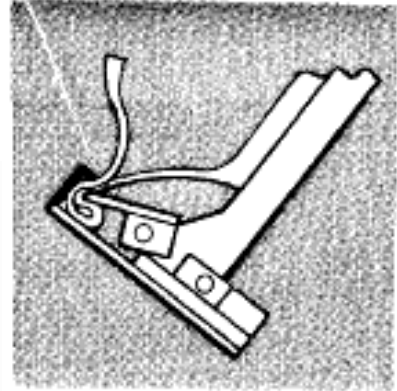
Also in:
New York (800) 526-4592
Chicago (800) 547-3473
Atlanta (800) 762-0542
Miami (833) 744-3473
Dallas (866) 644-3473

www.potterroemer.com

SERIES 2865 UL LISTED HOSE REEL ASSEMBLY

MODEL DIMENSIONS

"A" WATER RETENTION DEVICE



Call Potter Roemer - Fire Pro for current listings and approvals. Dimensions are subject to manufacturer's tolerance and may change without notice. Potter Roemer-Fire Pro assumes no responsibility for use of void or superceded data. © Copyright Potter Roemer- Fire Pro, Member of Morris Group International™ Please visit potterroemer.com for most current specifications.

2865 SERIES

MEMBERSHIP

AFSA
AMERICAN FIRE SPRINKLER ASSOCIATION, INC.

IFMA
INTERNATIONAL FIRE EQUIPMENT MANUFACTURERS' ASSOCIATION

ONFSA
NATIONAL FIRE SPRINKLER ASSOCIATION, INC.

NFAFED
NATIONAL ASSOCIATION OF FIRE EQUIPMENT DISTRIBUTORS

CASPE
AMERICAN SOCIETY OF PLUMBING ENGINEERS

UBC
U.S. GREEN BUILDING COUNCIL MEMBER

POTTER ROEMER

Headquarters:
P.O. Box 3527
City of Industry, CA
91744 U.S.A.
Los Angeles Area
800-366-3473
626-855-4890

Also in:
New York (800) 526-4592
Chicago (800) 547-3473
Atlanta (833) 744-0542
Miami (833) 744-3473
Dallas (866) 644-3473

www.potterroemer.com