

SPECIFICATIONS

Manufactured of Galvannealed Steel, 20ga. recessed box (18ga. surface mounted box); 22ga. tubular steel door with 20ga. frame and a continuous steel hinge. All components are powder-coated with an electrostatically-applied, thermally-fused, recoatable white polyester finish. All glass door styles provided with clear tempered safety glass. Wall mounting and size of cabinet as selected by model number.

REGULARLY FURNISHED

1870 Series - For use with 2-1/2" Fire Department Valve and Portable Fire Extinguisher*

1870-10 Series - For use with 2-1/2" Fire Department Valve and Portable Fire Extinguisher*

*Note: 20 lb. chem max. size.

1880 Series - For use with 1-1/2" and/or 2-1/2" Fire Department Valve and Portable Fire Extinguisher**

1880-10 Series - For use with 1-1/2" and/or 2-1/2" Fire Department Valve and Portable Fire Extinguisher**

**Note: 10 lb. dry chem max. size

MODEL SELECTION

- | | |
|--|--|
| <input type="checkbox"/> 1870 Recessed | <input type="checkbox"/> 1880 Recessed |
| <input type="checkbox"/> 1870-10 Recessed | <input type="checkbox"/> 1880-10 Recessed |
| <input type="checkbox"/> 1871 Trimless | <input type="checkbox"/> 1881 Trimless |
| <input type="checkbox"/> 1871-10 Trimless | <input type="checkbox"/> 1881-10 Trimless |
| <input type="checkbox"/> 1872 Semi-Recessed | <input type="checkbox"/> 1882 Semi-Recessed |
| <input type="checkbox"/> 1872-10 Semi-Recessed | <input type="checkbox"/> 1882-10 Semi-Recessed |
| <input type="checkbox"/> 1875 Surface | <input type="checkbox"/> 1885 Surface |

PRODUCT OPTIONS

DOOR AND FRAME MATERIAL:

- | | |
|------------------------------|-----------------------------------|
| <input type="checkbox"/> -AL | ALUMINUM: Clear Anodized Finish |
| <input type="checkbox"/> -SS | STAINLESS STEEL: 304 w/ #4 Finish |
| <input type="checkbox"/> -PB | BRASS: Polished Finish |
| <input type="checkbox"/> -BZ | BRONZE: Call for Options |

OPTIONAL FINISHES TO DOOR AND FRAME ABOVE:

- | | | | |
|--|---|---|-------------------------------|
| <input type="checkbox"/> -ALUMINUM: Duranodic Finish | <input type="checkbox"/> Light | <input type="checkbox"/> Medium | <input type="checkbox"/> Dark |
| <input type="checkbox"/> -STAINLESS STEEL: Finish as Specified | <input type="checkbox"/> 304 w/ #6 Dull Satin | <input type="checkbox"/> 304 w/ #8 Mirror | |
| <input type="checkbox"/> -RED: Powder Coat | | | |
| <input type="checkbox"/> -CUSTOMER COLORS _____ | (Specify) | | |



PRODUCT OPTIONS (cont.)

CABINET MODIFICATIONS:

- 12 12" Deep Box

DOOR STYLES:

- | | |
|------------------------------------|--|
| <input type="checkbox"/> -A | Full Glass, w/ Tempered Safety Glass |
| <input type="checkbox"/> -B | Break-Glass, w/ Lock & Break Rite® Handle |
| <input type="checkbox"/> -D | Duo-Panel w/ Tempered Safety Glass |
| <input type="checkbox"/> -DV | Duo-Vertical Panel w/ Tempered Safety Glass |
| <input type="checkbox"/> -DVL | Duo-Vertical Panel w/ Lock, TSG & Break Rite® Handle. |
| <input type="checkbox"/> -E | Tempered Safety Glass (25 sq. in.) w/ Break Rite® Handle |
| <input type="checkbox"/> -F | Flush Solid Metal |
| <input type="checkbox"/> -FS | Flush Solid Metal w/ lock |
| <input type="checkbox"/> -J | Insert Panel |
| <input type="checkbox"/> (Specify) | Optional inserts for glass-style doors |

**NOTE: DOOR STYLES -A, -D, -DV, -F, & -J PROVIDED w/ LEVER HANDLE/CAM LATCH

**NOTE: ALL GLASS DOOR STYLES PROVIDED WITH CLEAR TEMPERED SAFETY GLASS IN COMPLIANCE WITH ANSI Z97-1-1984

Call Potter Roemer - Fire Pro for current listings and approvals. Dimensions are subject to manufacturer's tolerance and may change without notice. Potter Roemer-Fire Pro assumes no responsibility for use of void or superseded data. © Copyright Potter Roemer- Fire Pro, Member of Morris Group International™ Please visit potterroemer.com for most current specifications.

1870 SERIES

Date: 03/27/20

MEMBERSHIP



FIRE EQUIPMENT
MANUFACTURERS'
ASSOCIATION

ONFSA
NATIONAL IRRE SPRINKLER ASSOCIATION, INC.



CASPE
American Society of
Plumbing Engineers



POTTER ROEMER/FIRE PRO

Headquarters:
P.O. Box 3527
City of Industry, CA
91744 U.S.A.
Los Angeles Area
800-366-3473
626-855-4890

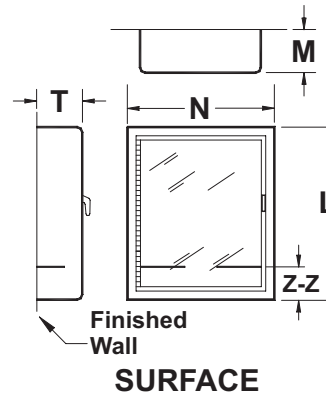
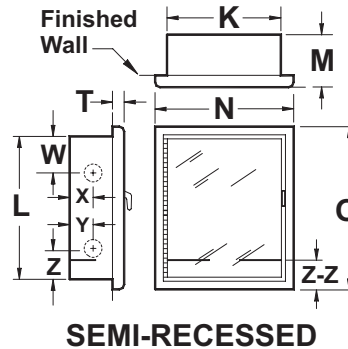
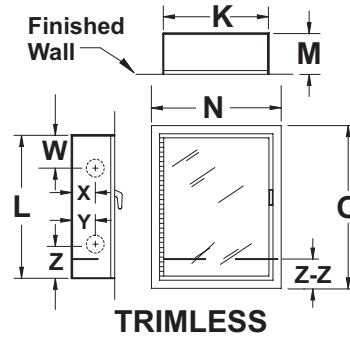
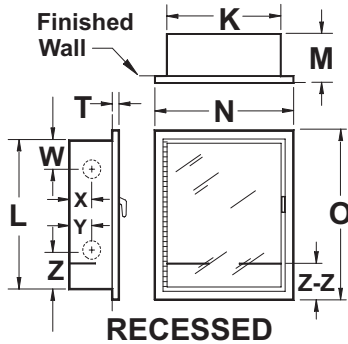
Also in:
New York (800) 526-4592
Chicago (800) 547-3473
Atlanta (800) 762-0542
Miami (833) 744-3473
Dallas (866) 644-3473

www.potterroemer.com

MODEL DIMENSIONS

Model No.	Wall Mounting	Inside Box Dimensions			Overall	Frame	Wall Opening Req'd			Trim	Inlet Location					Shelf	ADA
		K	L	M			N	O	W I D T H		H E I G H T	D E P T H	T	W	X		
1870	Recessed	14	40	8	17-3/4	43-3/4	15	41	8-1/2	5/8	-	-	4	4	12	Yes	
1871	Trimless	14	40	8	17	43	15	41	9-1/4	-	-	-	4	4	12	Yes	
1872	Semi-Recessed	14	40	8	17-1/2	43-1/2	15	41	6-1/2	2	-	-	4	4	12	Yes	
1875	Surface	16	42	9-1/2	-	-	-	-	-	-	-	-	-	-	12	No	
1870-10	Recessed	14	40	10	17-3/4	43-3/4	15	41	10-1/2	5/8	-	-	4	4	12	Yes	
1871-10	Trimless	14	40	10	17	43	15	41	11-1/4	-	-	-	4	4	12	Yes	
1872-10	Semi-Recessed	14	40	10	17-1/2	43-1/2	15	41	8-1/2	2	-	-	4	4	12	Yes	
1880	Recessed	18	24	8	21-3/4	27-3/4	19	25	8-1/2	5/8	4	4	4	4	-	Yes	
1881	Trimless	18	24	8	21	27	19	25	9-1/4	-	4	4	4	4	-	Yes	
1882	Semi-Recessed	18	24	8	21-3/4	27-1/2	19	25	6-1/2	2	4	4	4	4	-	Yes	
1885	Surface	20	26	9-1/2	-	-	-	-	-	-	-	-	-	-	-	No	
1880-10	Recessed	18	24	10	21-3/4	27-3/4	19	25	10-1/2	5/8	4	4	4	4	-	Yes	
1881-10	Trimless	18	24	10	21	27	19	25	11-1/4	-	4	4	4	4	-	Yes	
1882-10	Semi-Recessed	18	24	10	21-3/4	27-1/2	19	25	8-1/2	2	4	4	4	4	-	Yes	

ALL DIMENSIONS ARE IN INCHES UNLESS OTHERS NOTED



Call Potter Roemer - Fire Pro for current listings and approvals. Dimensions are subject to manufacturer's tolerance and may change without notice. Potter Roemer-Fire Pro assumes no responsibility for use of void or superseded data. © Copyright Potter Roemer- Fire Pro, Member of Morris Group International™ Please visit potterroemer.com for most current specifications.

1870 SERIES

MEMBERSHIP



FIRE EQUIPMENT
MANUFACTURERS'
ASSOCIATION

ONFSA
NATIONAL IRRE SPRINKLER ASSOCIATION, INC.



POTTER ROEMER/FIRE PRO

Headquarters:
P.O. Box 3527
City of Industry, CA
91744 U.S.A.
Los Angeles Area
800-366-3473
626-855-4890

Also in:
New York (800) 526-4592
Chicago (800) 547-3473
Atlanta (800) 762-0542
Miami (833) 744-3473
Dallas (866) 644-3473

www.potterroemer.com