

SPECIFICATIONS

Reel manufactured of 20 gauge Galvannealed Steel welded construction with red glossy polyester coating. 12 gauge Galvannealed Steel wall bracket. Components are hinged to permit wide angle swing. Provided with breakable seal to prevent unrolling. Hose capacity as selected by model number.

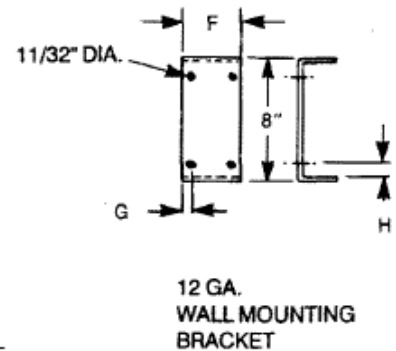
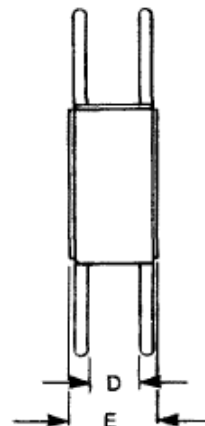
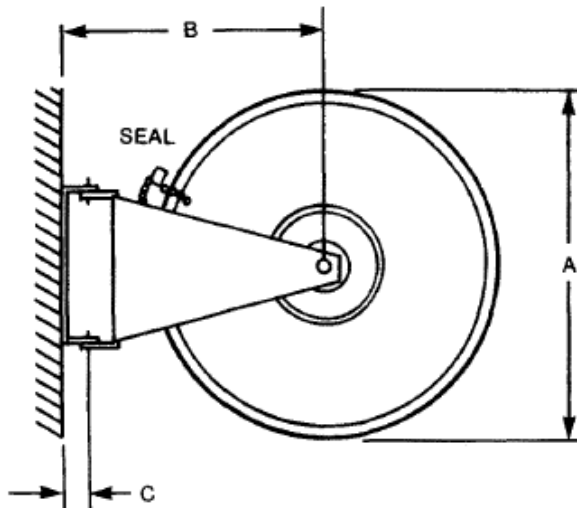
MODEL SELECTION

- 2876 2878
- 2877 2879

PRODUCT OPTIONS

- G Pipe Clamp
Specify Pipe Size _____

MODEL DIMENSIONS



Model No.	Reel Capacity								Dimensions								Material Gauge
	Polyflex		PR-Superflex		Single Jacket		Double Jacket		A	B	C	D	E	F	G	H	
	1-1/2	2-1/2	1-1/2	2-1/2	1-1/2	2-1/2	1-1/2	2-1/2									
2876	100'	-	50'	-	50'	-	-	-	17	15-1/2	2-1/4	3	4	2-3/4	1/2	1-1/8	20
2877	150'	-	75'	-	75'	-	50'	-	23	15-1/2	2-1/4	3	4	2-3/4	1/2	1-1/8	20
2878	200'	100'	150'	50'	150'	50'	100'	50'	23	17-1/2	2-1/4	5-3/4	6-1/2	2-3/4	1/2	1-1/8	20
2879	-	200'	-	100'	-	100'	-	100'	23	20	3-1/4	9-1/2	10-1/4	10-1/4	1	1	20

ALL DIMENSIONS IN INCHES

Call Potter Roemer - Fire Pro for current listings and approvals. Dimensions are subject to manufacturer's tolerance and may change without notice. Potter Roemer-Fire Pro assumes no responsibility for use of void or superceded data. © Copyright Potter Roemer- Fire Pro, Member of Morris Group International™ Please visit potterroemer.com for most current specifications.

2875 SERIES Date: 05/12/20

MEMBERSHIP






POTTER ROEMER/FIRE PRO

Headquarters:
P.O. Box 3527
City of Industry, CA
91744 U.S.A.
Los Angeles Area
800-366-3473
626-855-4890

Also in:
New York (800) 526-4592
Chicago (800) 547-3473
Atlanta (800) 762-0542
Miami (833) 744-3473
Dallas (866) 644-3473

www.potterroemer.com