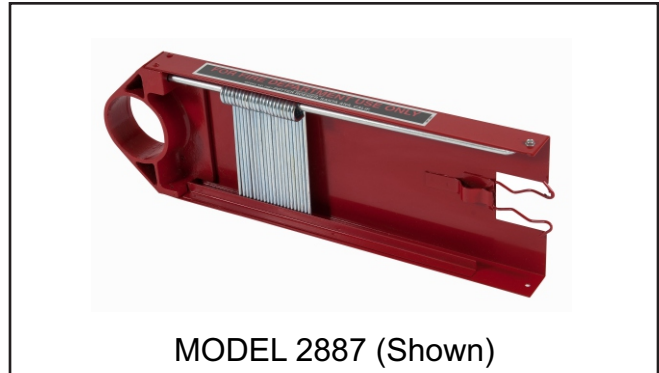


HOSE STORAGE RACK

SPECIFICATIONS

Non-Automatic steel pin type hose rack with red glossy polyester finish for use with 2-1/2" polyflex hose and nipple mounting.



MODEL 2887 (Shown)

MODEL SELECTION

2887 Nipple Mounted

PRODUCT OPTIONS

OPTIONS:

- E Wall Bracket
 -G Pipe Bracket (Specify pipe size _____)

COLUMN MOUNTED

SPECIFICATIONS

Hose holder constructed of 12 gauge steel with red polyester finish. Mounting brackets supplied for attaching to either side of an 8" through 12" "I" beam. Maximum capacity is 100' - 1-1/2" S.J. hose.

MODEL DIMENSIONS

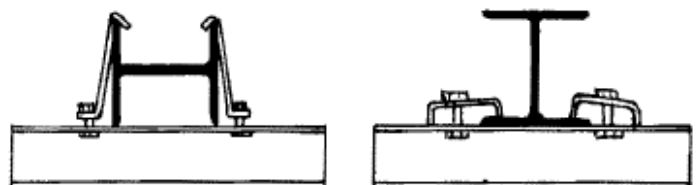
Width - 16"
Height - 10"
Depth - 9"



MODEL 2888 (Shown)

MODEL SELECTION

2888 Column Mounted



Call Potter Roemer - Fire Pro for current listings and approvals. Dimensions are subject to manufacturer's tolerance and may change without notice. Potter Roemer - Fire Pro assumes no responsibility for use of void or superseded data. © Copyright Potter Roemer - Fire Pro, Member of Morris Group International™ Please visit potterroemer.com for most current specifications.

2887-2891 SERIES Date: 08/11/15

MEMBERSHIP



FIRE EQUIPMENT
MANUFACTURERS'
ASSOCIATION

ONFSA
NATIONAL FIRE SPRINKLER ASSOCIATION, INC.



CASPE
American Society of
Plumbing Engineers



POTTER ROEMER/FIRE PRO

Headquarters:
P.O. Box 3527
City of Industry, CA
91744 U.S.A.
Los Angeles Area
800-366-3473
626-855-4890

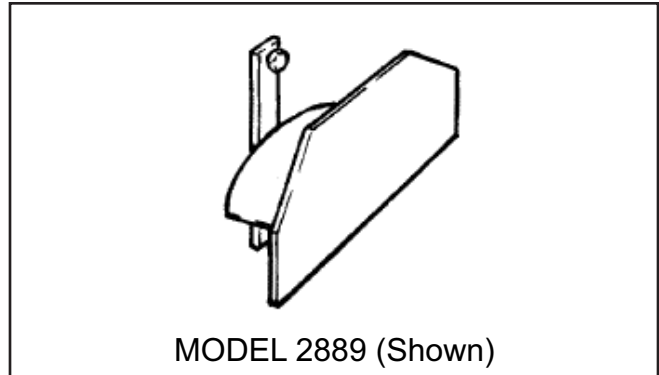
Also in:
New York (800) 526-4592
Chicago (800) 547-3473
Atlanta (800) 762-0542
Miami (866) 961-3473
Dallas (866) 644-3473

www.potterroemer.com

HOSE HANGER

SPECIFICATIONS

Wall mounted hose hanger with red glossy polyester finish for use with 1-1/2" or 2-1/2" collapsible hose and nipple mounting.



MODEL SELECTION

2889 Wall Mounted

PRODUCT OPTIONS

OPTIONS:

- E Wall Bracket
 -G Pipe Bracket (Specify pipe size _____)

HUMP TYPE RACK

SPECIFICATIONS

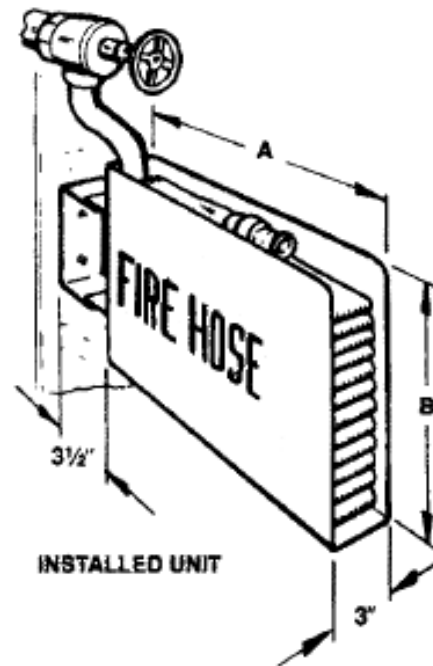
Solid sides, steel construction with red glossy polyester finish and identification decal. Wall brackets permit a full 180° swing.

MODEL SELECTION

- 2890
 2890-2

DIMENSION CHART

Model No.	A	B	MAXIMUM CAPACITY
2890	24	16	100' 1-1/2" 2915
2890-2	28	24	100' 1-1/2" 2911



Call Potter Roemer - Fire Pro for current listings and approvals. Dimensions are subject to manufacturer's tolerance and may change without notice. Potter Roemer - Fire Pro assumes no responsibility for use of void or superseded data. © Copyright Potter Roemer - Fire Pro, Member of Morris Group International™ Please visit potterroemer.com for most current specifications.

2887-2891 SERIES Date: 08/11/15

MEMBERSHIP



FIRE EQUIPMENT
MANUFACTURERS'
ASSOCIATION



POTTER ROEMER/FIRE PRO

Headquarters:
P.O. Box 3527
City of Industry, CA
91744 U.S.A.
Los Angeles Area
800-366-3473
626-855-4890

Also in:
New York (800) 526-4592
Chicago (800) 547-3473
Atlanta (800) 762-0542
Miami (866) 961-3473
Dallas (866) 644-3473

www.potterroemer.com

COLUMN HANGER TYPE RACK

SPECIFICATIONS

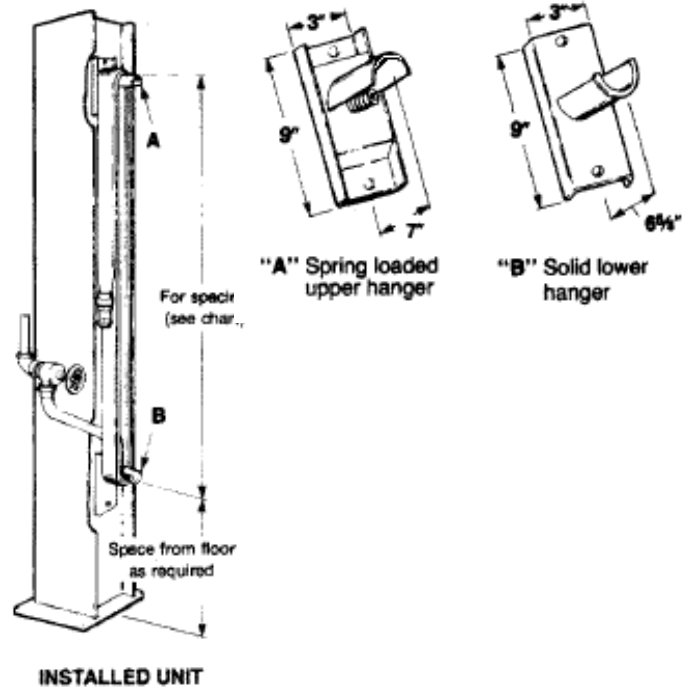
12 ga. steel, red polyester coated, upper hanger, spring loaded. Hanger accommodates a maximum of 100'/30.4m, 1-1/2"/3.8cm or 2-1/2"/6.4cm hose.

MODEL SELECTION

2891

HANGER SPACING CHART

NUMBER LOOPS	50 FT	HOSE LENGTH 75 FT	100 FT
2	12 FT	-	-
3	8 FT	12 FT	-
4	6 FT	9 FT	12 FT



SELECT EQUIPMENT

HOSE LENGTH:

50' 75' 100'

HOSE BRASS PINLUG COUPLED

- 2901 1-1/2" Single Jacket Lined 300 lb. Test
- 2902 2-1/2" Single Jacket Lined 300 lb. Test
- 2911 1-1/2" Double Jacket Lined 600 lb. Test
- 2914 2-1/2" Double Jacket Lined 600 lb. Test
- 2915 1-1/2" Single Jacket Lined 500 lb. Test Polyflex
- 2916 2-1/2" Single Jacket Lined 500 lb. Test Polyflex
- 2926 1-1/2" Single Jacket Lined 500 lb. Test Superflex
- 2929 2-1/2" Single Jacket Lined 500 lb. Test Superflex
- Other - Specify

OPTION:

U/L Label

THREADS:

N.S.T. Other - Specify

HOSE RACK & REEL COVERS:

- 2892 For 75 ft. Polyflex Rack
- 2893 For 100 ft. Polyflex Rack
- 2894 For 100 ft. Superflex Rack
- 2892 For 2876 Hose Reel
- 2893 For 2877-2878 Hose Reel
- 2894 For 2879 Hose Reel

NOZZLES

- 2945 1-1/2" Plain Plastic
- 2947 1-1/2" Plain Brass
- 2948 2-1/2" Plain Brass (2891 Only)
- 2960 1-1/2" Red Lexan Fog
- 2962 1-1/2" Brass Fog U/L
- 2972 1-1/2" Brass Fog with Rubber Bumper U/L
- 2973 2-1/2" Brass Fog with Rubber Bumper U/L
- 2980 1-1/2" Red Lexan All Fog
- 2985 1-1/2" Brass All Fog U/L

VALVE

- 4060 1-1/2" Female x Male Brass Angle U/L and ◀FM▶
- 4065 2-1/2" Female x Male Brass Angle U/L and ◀FM▶
- 4080 1-1/2" Female x Male Brass Angle Pressure Restricting U/L
- 4085 2-1/2" Female x Male Brass Angle Pressure Restricting U/L
- Other - Specify

Call Potter Roemer - Fire Pro for current listings and approvals. Dimensions are subject to manufacturer's tolerance and may change without notice. Potter Roemer - Fire Pro assumes no responsibility for use of void or superceded data. © Copyright Potter Roemer - Fire Pro, Member of Morris Group International™ Please visit potterroemer.com for most current specifications.

2887-2891 SERIES Date: 08/11/15

MEMBERSHIP



POTTER ROEMER/FIRE PRO

Headquarters:
P.O. Box 3527
City of Industry, CA
91744 U.S.A.
Los Angeles Area
800-366-3473
626-855-4890

Also in:
New York (800) 526-4592
Chicago (800) 547-3473
Atlanta (800) 762-0542
Miami (866) 961-3473
Dallas (866) 644-3473

www.potterroemer.com