

SPECIFICATIONS

1-1/2" SINGLE LUG COUPLING

Cast brass finish. 1-11/16" & 1-3/4" bowl size. Single pin lug with two expansion rings, two tail and one swivel gasket.

DOUBLE LUG COUPLINGS

Cast brass finish, Bowl size as selected by model number. Double pin lug with two expansion rings, two tail and one swivel gasket.

EXTRUDED ALUMINUM COUPLINGS

Hard coated, lightweight aluminum rocker lug coupling. Two expansion rings, two tail and one swivel gasket.

MODEL SIZE CHART

Model No.	Size	Bowl Size
2930	1-1/2"	1-11/16"
2934	1-1/2"	1-3/4"
2935	1-1/2"	1-13/16"
2938	1-1/2"	1-15/16"
2936	2-1/2"	2-13/16"
2937	2-1/2"	3"
2941	1-1/2"	1-11/16"
2942	1-1/2"	1-15/16"
2943	2-1/2"	2-13/16"
2944	2-1/2"	3"

MODEL SELECTION

- 2930 Single Lug Coupling
- 2934 Single Lug Coupling
- 2935 Double Lug Coupling
- 2936 Double Lug Coupling
- 2937 Double Lug Coupling
- 2938 Double Lug Coupling
- 2941 Extruded Aluminum Coupling
- 2942 Extruded Aluminum Coupling
- 2943 Extruded Aluminum Coupling
- 2944 Extruded Aluminum Coupling



PRODUCT OPTIONS

OPTIONAL BOWL SIZES:

(Model 2941 Only)

- 1-3/4"
- 1-13/16"

(Model 2942 Only)

- 2-1/8"
- 2-5/16"
- 2-9/16"

**NOTE: OPTIONAL FINISHES AND VARIATIONS NOT AVAILABLE FOR EXTRUDED ALUMINUM COUPLING MODELS

FINISHES:

- B Polished Brass
- C Rough Chrome Plated
- D Polished Chrome Plated

VARIATIONS:

- RL Rocker Lug

THREADS:

- N.S.T.
- Other _____

Call Potter Roemer - Fire Pro for current listings and approvals. Dimensions are subject to manufacturer's tolerance and may change without notice. Potter Roemer - Fire Pro assumes no responsibility for use of void or superseded data. © Copyright Potter Roemer - Fire Pro, Member of Morris Group International™ Please visit potterroemer.com for most current specifications.

2930-2944 SERIES Date: 03/27/14

MEMBERSHIP



FIRE EQUIPMENT
MANUFACTURERS'
ASSOCIATION

ONFSA
NATIONAL IRRE SPRINKLER ASSOCIATION, INC.



CASPE
American Society of
Plumbing Engineers



POTTER ROEMER/FIRE PRO

Headquarters:
P.O. Box 3527
City of Industry, CA
91744 U.S.A.
Los Angeles Area
800-366-3473
626-855-4890

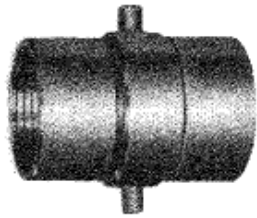
Also in:
New York (800) 526-4592
Chicago (800) 547-3473
Atlanta (800) 762-0542
Miami (866) 961-3473
Dallas (866) 644-3473

www.potterroemer.com

MODEL DIMENSIONS

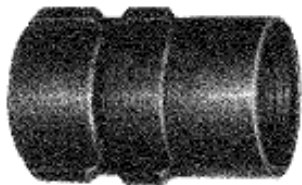
SINGLE LUG COUPLINGS

Model No.	Size	Bowl Size
2930	1-1/2"	1-11/16"
2934	1-1/2"	1-13/16"



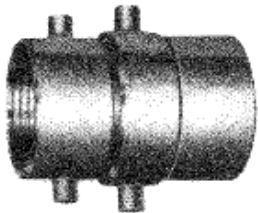
EXTRUDED ALUMINUM COUPLINGS

Model No.	Size	Bowl Size
2941	1-1/2"	1-11/16"
2942	1-1/2"	1-15/16"
2943	2-1/2"	2-13/16"
2944	2-1/2"	3"



DOUBLE LUG COUPLINGS

Model No.	Size	Bowl Size
2935	1-1/2"	1-13/16"
2938	1-1/2"	1-15/16"
2936	2-1/2"	2-13/16"
2937	2-1/2"	3"



Call Potter Roemer - Fire Pro for current listings and approvals. Dimensions are subject to manufacturer's tolerance and may change without notice. Potter Roemer - Fire Pro assumes no responsibility for use of void or superceded data. © Copyright Potter Roemer - Fire Pro, Member of Morris Group International™ Please visit potterroemer.com for most current specifications.

2930-2944 SERIES Date: 03/27/14

MEMBERSHIP



FIRE EQUIPMENT
MANUFACTURERS'
ASSOCIATION



POTTER ROEMER/FIRE PRO

Headquarters:
P.O. Box 3527
City of Industry, CA
91744 U.S.A.
Los Angeles Area
800-366-3473
626-855-4890

Also in:
New York (800) 526-4592
Chicago (800) 547-3473
Atlanta (800) 762-0542
Miami (866) 961-3473
Dallas (866) 644-3473

www.potterroemer.com