

SPECIFICATIONS

ANGLE VALVES

FEMALE X MALE

Cast brass valve with red hand wheel, Female N.P.T. inlet x male hose thread outlet. 300 psi

DOUBLE FEMALE

Cast brass valve with red hand wheel. Female N.P.T. inlet and outlet. 300 psi



MODEL 4065 (Shown)

MODEL SELECTION

VALVES

- 4060** 1-1/2" Female x Male Angle Valve ◀FM▶
- 4065** 2-1/2" Female x Male Angle Valve ◀FM▶
- 4065-500** 2-1/2" Female x Male Angle Valve 500 psi
- 4070** 1-1/2" Double Female Angle Valve ◀FM▶
- 4075** 2-1/2" Double Female Angle Valve ◀FM▶
- 4075-500** 2-1/2" Double Female Angle Valve 500 psi

OPTIONAL CAPS & FLANGES

- 4615** 1-1/2" Cap w/ Chain
- 4625** 2-1/2" Cap w/ Chain
- 4711** 1-1/2" Flange 3" O.D.
- 4712** 2-1/2" Flange 6-1/4" O.D.

PRODUCT OPTIONS

FINISHES:

- B Polished Brass
- C Rough Chrome Plated
- D Polished Chrome Plated

THREADS:

- N.S.T.
- Other _____

VARIATIONS:

- Extended Stem Up to 24"
Specify _____
- Rocker Lugs (Cap Models Only)
- GRV Grooved Inlet (4065 Only)

Call Potter Roemer - Fire Pro for current listings and approvals. Dimensions are subject to manufacturer's tolerance and may change without notice. Potter Roemer - Fire Pro assumes no responsibility for use of void or superseded data. © Copyright Potter Roemer - Fire Pro, Member of Morris Group International™ Please visit potterroemer.com for most current specifications.

4060-4075 SERIES Date: 10/20/15

MEMBERSHIP



FIRE EQUIPMENT
MANUFACTURERS'
ASSOCIATION

ONFSA
NATIONAL FIRE SPRINKLER ASSOCIATION, INC.



CASPE
American Society of
Plumbing Engineers



POTTER ROEMER/FIRE PRO

Headquarters:
P.O. Box 3527
City of Industry, CA
91744 U.S.A.
Los Angeles Area
800-366-3473
626-855-4890

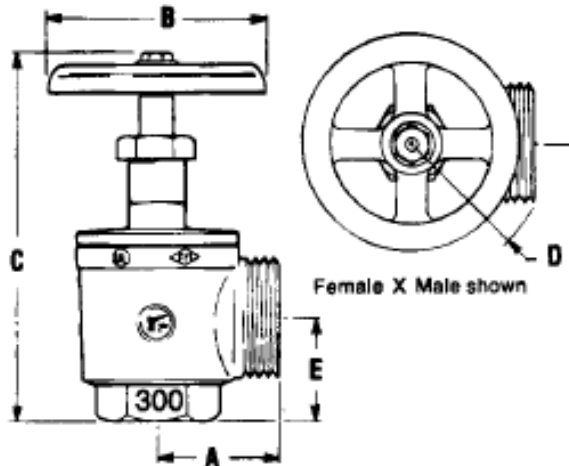
Also in:
New York (800) 526-4592
Chicago (800) 547-3473
Atlanta (800) 762-0542
Miami (866) 961-3473
Dallas (866) 644-3473

www.potterroemer.com

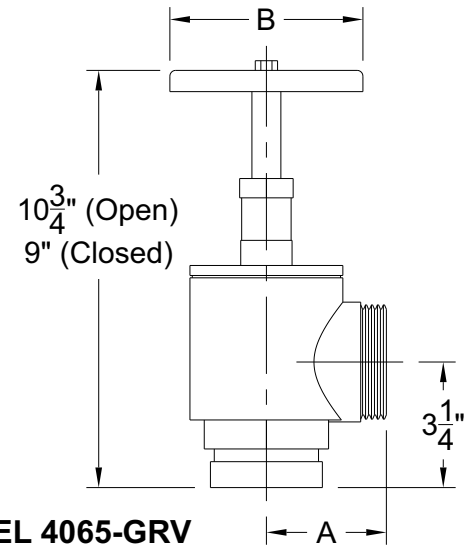
MODEL DIMENSIONS

Size	Closed			Open		
	A	B	C	C	D	E
1-1/2	2-1/4	3-1/2	6-1/2	7-1/2	2-1/2	2
2-1/2	3-1/2	5	9-1/2	11-1/2	3-1/2	2-3/4

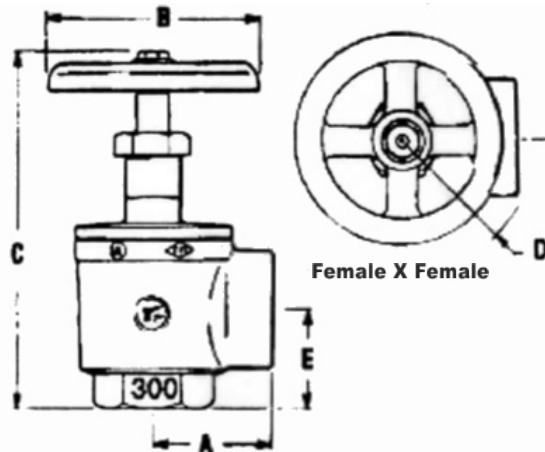
ALL DIMENSIONS IN INCHES



MODEL 4060-4065



MODEL 4065-GRV



MODEL 4070-4075

Call Potter Roemer - Fire Pro for current listings and approvals. Dimensions are subject to manufacturer's tolerance and may change without notice. Potter Roemer - Fire Pro assumes no responsibility for use of void or superseded data. © Copyright Potter Roemer - Fire Pro, Member of Morris Group International™ Please visit potterroemer.com for most current specifications.

4060-4075 SERIES Date: 10/20/15

MEMBERSHIP



FIRE EQUIPMENT
MANUFACTURERS'
ASSOCIATION

ONFSA
NATIONAL FIRE SPRINKLER ASSOCIATION, INC.



CASPE
American Society of
Plumbing Engineers



POTTER ROEMER/FIRE PRO

Headquarters:
P.O. Box 3527
City of Industry, CA
91744 U.S.A.
Los Angeles Area
800-366-3473
626-855-4890

Also in:
New York (800) 526-4592
Chicago (800) 547-3473
Atlanta (800) 762-0542
Miami (866) 961-3473
Dallas (866) 644-3473

www.potterroemer.com