

SPECIFICATIONS

ANGLE VALVES

FEMALE X MALE

Cast brass valve with red hand wheel, Female N.P.T. inlet x male hose thread outlet. 300 psi

DOUBLE FEMALE

Cast brass valve with red hand wheel. Female N.P.T. inlet and outlet. 300 psi



MODEL 4065 (Shown)

MODEL SELECTION

VALVES

- 4065 2-1/2" Female x Male Angle Valve ◀FM▶
- 4075 2-1/2" Double Female Angle Valve ◀FM▶

PRODUCT OPTIONS

THREADS:

- N.Y.F.D.

FINISHES:

- B Polished Brass
- C Rough Chrome Plated
- D Polished Chrome Plated

VARIATIONS:

- GRV Grooved Inlet (4065 Only)
- 500 psi Rated

CAP AND CHAIN

- 4625 2-1/2" Cap w/ Chain

THREADS:

- N.Y.F.D.

FINISHES:

- B Polished Brass
- C Rough Chrome Plated
- D Polished Chrome Plate

VARIATIONS:

- P Plastic



MODEL 4625

Call Potter Roemer - Fire Pro for current listings and approvals. Dimensions are subject to manufacturer's tolerance and may change without notice. Potter Roemer - Fire Pro assumes no responsibility for use of void or superseded data. © Copyright Potter Roemer - Fire Pro, Member of Morris Group International™ Please visit potterroemer.com for most current specifications.

4065NYC SERIES

Date: 03/10/17

MEMBERSHIP



FIRE EQUIPMENT
MANUFACTURERS'
ASSOCIATION



POTTER ROEMER/FIRE PRO

Headquarters:
P.O. Box 3527
City of Industry, CA
91744 U.S.A.
Los Angeles Area
800-366-3473
626-855-4890

Also in:
New York (800) 526-4592
Chicago (800) 547-3473
Atlanta (800) 762-0542
Miami (866) 961-3473
Dallas (866) 644-3473

www.potterroemer.com

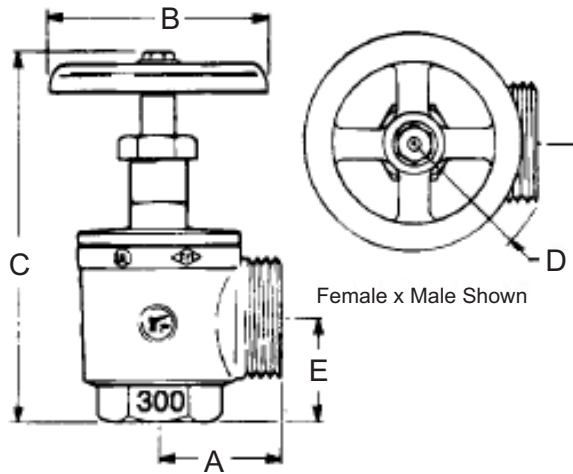
MODEL DIMENSIONS

Size	Closed			Open		
	A	B	C	C	D	E
2-1/2	3-1/2	5	9-1/2	11-1/2	3-1/2	2-3/4
2-1/2 -GRV	3-1/4	5	9-3/4	11-3/8	3-1/2	2-3/4

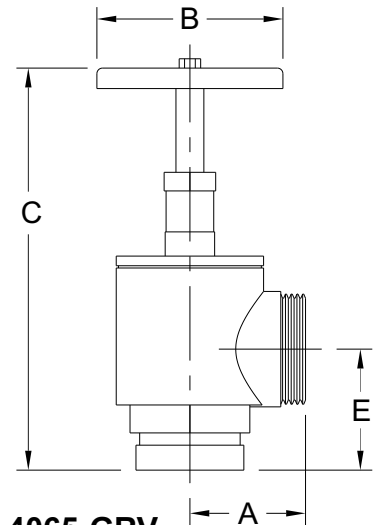
ALL DIMENSIONS IN INCHES



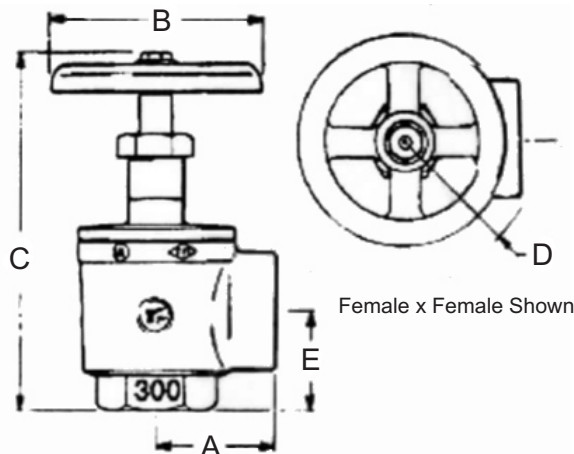
MODEL 4065



MODEL 4065-GRV



MODEL 4075



Call Potter Roemer - Fire Pro for current listings and approvals. Dimensions are subject to manufacturer's tolerance and may change without notice. Potter Roemer - Fire Pro assumes no responsibility for use of void or superseded data. © Copyright Potter Roemer - Fire Pro, Member of Morris Group International™ Please visit potterroemer.com for most current specifications.

4065NYC SERIES

Date: 03/10/17

MEMBERSHIP



FIRE EQUIPMENT
MANUFACTURERS'
ASSOCIATION

ONFSA
NATIONAL FIRE SPRINKLER ASSOCIATION, INC.



CASPE
American Society of
Plumbing Engineers



POTTER ROEMER/FIRE PRO

Headquarters:
P.O. Box 3527
City of Industry, CA
91744 U.S.A.
Los Angeles Area
800-366-3473
626-855-4890

Also in:
New York (800) 526-4592
Chicago (800) 547-3473
Atlanta (800) 762-0542
Miami (866) 961-3473
Dallas (866) 644-3473

www.potterroemer.com