

SPECIFICATIONS

FEMALE X FEMALE

Cast brass valve with red handwheel. Female N.P.T. inlet and outlet.

FEMALE X MALE

Cast brass valve with red handwheel. Female N.P.T. inlet by male hose thread outlet.

CHICAGO PATTERN VALVES

Cast brass valve with rubber seat and aluminum handwheel. Male N.P.T. inlet x Male N.S.T. outlet



PRODUCT OPTIONS

“No Available Options”

MODEL SELECTION

- 4110
- 4115
- 4119
- 4120
- 4125
- 4130
- 4135

Call Potter Roemer - Fire Pro for current listings and approvals. Dimensions are subject to manufacturer's tolerance and may change without notice. Potter Roemer-Fire Pro assumes no responsibility for use of void or superceded data. © Copyright Potter Roemer- Fire Pro, Member of Morris Group International™ Please visit potterroemer.com for most current specifications.

4110-4135 SERIES Date: 10/01/15

MEMBERSHIP



FIRE EQUIPMENT
MANUFACTURERS'
ASSOCIATION

ONFSA
NATIONAL IRRIE SPRINKLER ASSOCIATION, INC.



CASPE
American Society of
Plumbing Engineers



POTTER ROEMER/FIRE PRO

Headquarters:
P.O. Box 3527
City of Industry, CA
91744 U.S.A.
Los Angeles Area
800-366-3473
626-855-4890

Also in:
New York (800) 526-4592
Chicago (800) 547-3473
Atlanta (800) 762-0542
Miami (866) 961-3473
Dallas (866) 644-3473

www.potterroemer.com

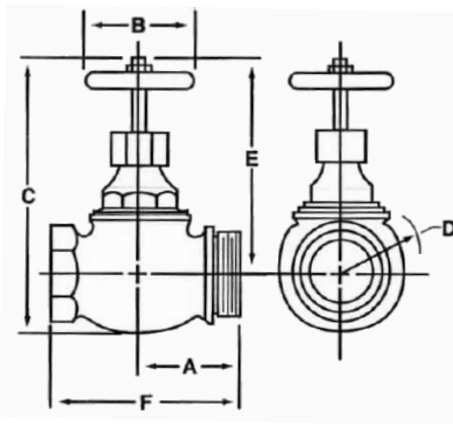
SPECIFICATIONS

F x M Model No.	F x F Model No.	Size	Closed		Open				
			A	B	C	C	D	E	F
	4119	1/2	1/8	2	4	4-1/4	1	3-3/8	2-1/4
4110	4120	1-1/2	2-1/2	3-1/2	7-1/4	8-1/4	3	5-3/4	5-1/2
4115	4125	2-1/2	3-1/2	5	10-1/4	11-1/4	3-1/2	8-1/4	7

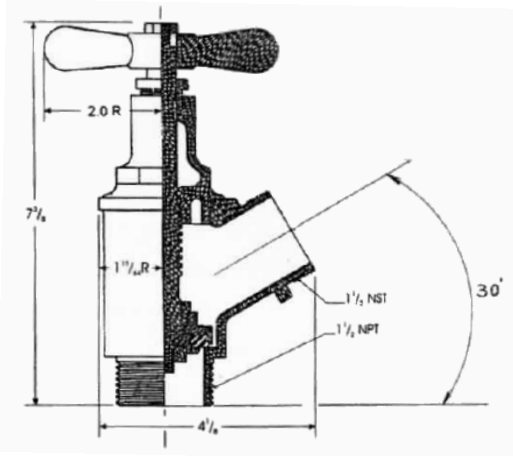
ALL DIMENSIONS IN INCHES



MODEL 4110 & 4115



MODEL 4119-4125



MODEL 4130

4130 1-1/2" Male N.P.T. inlet x Male N.S.T. outlet

4135 2-1/2" Male N.P.T. inlet x Male N.S.T. outlet

Call Potter Roemer - Fire Pro for current listings and approvals. Dimensions are subject to manufacturer's tolerance and may change without notice. Potter Roemer - Fire Pro assumes no responsibility for use of void or superseded data. © Copyright Potter Roemer - Fire Pro, Member of Morris Group International™ Please visit potterroemer.com for most current specifications.

4110-4135 SERIES Date: 10/01/15

MEMBERSHIP



FIRE EQUIPMENT
MANUFACTURERS'
ASSOCIATION



POTTER ROEMER/FIRE PRO

Headquarters:
P.O. Box 3527
City of Industry, CA
91744 U.S.A.
Los Angeles Area
800-366-3473
626-855-4890

Also in:
New York (800) 526-4592
Chicago (800) 547-3473
Atlanta (800) 762-0542
Miami (866) 961-3473
Dallas (866) 644-3473

www.potterroemer.com