

For Use as a Fire Department Outlet Connection

Hydrant Valves, cast brass with brass pentagonal operating nut. Female NPT inlet x Male hose thread outlet. Brass cap and chain. Rated pressure 300 PSI.

MODEL SELECTION

- 4141
- 4142
- 4143

PRODUCT OPTIONS

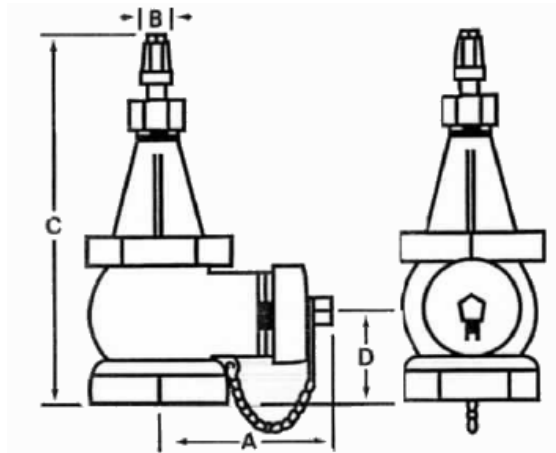
“No Available Options”



MODEL DIMENSIONS

Model No.	Size	U/L Listed	Closed		Open		D
			A	B	C	C	
4141	1-1/2	YES	3	1-1/8	6-13/16	7-3/4	1-13/16
4142	2-1/2	YES	5-3/4	1-5/8	13-1/2	15-1/4	2-3/4
4143	4 x 2-1/2	NO	6	1-5/8	14-1/4	16-3/8	3-1/8

ALL DIMENSIONS IN INCHES



Call Potter Roemer - Fire Pro for current listings and approvals. Dimensions are subject to manufacturer's tolerance and may change without notice. Potter Roemer - Fire Pro assumes no responsibility for use of void or superceded data. © Copyright Potter Roemer - Fire Pro, Member of Morris Group International™ Please visit potterroemer.com for most current specifications.

4141-4143 SERIES

Date: 04/05/24

MEMBERSHIP



POTTER ROEMER

Headquarters:
P.O. Box 3527
City of Industry, CA
91744 U.S.A.
Los Angeles Area
800-366-3473
626-855-4890

Also in:
New York (800) 526-4592
Chicago (800) 547-3473
Atlanta (800) 762-0542
Miami (833) 744-3473
Dallas (866) 644-3473

www.potterroemer.com