

SPECIFICATIONS

RISING STEM VALVE WITH CAP AND CHAIN

Cast brass valve with rising stem, red handwheel. Female N.P.T. inlet x male hose thread outlet. Brass solid wedge disc and tapered seat.

NON-RISING STEM VALVE WITH CAP AND CHAIN

Cast brass valve with non-rising stem, red handwheel. Female N.P.T. inlet x male hose thread outlet. Brass solid wedge disc and tapered seat.

MODEL SELECTION

VALVES

- 4215 2-1/2" Valve With Rising Stem
- *4235 3" x 2-1/2" Valve With Rising Stem
- 4305 1-1/2" Valve With Non-Rising Stem
- *4315 2-1/2" Valve With Non-Rising Stem
- *4335 3 x 2-1/2" Valve With Non-Rising Stem
- *4365 2-1/2" Valve With Non-Rising Stem and Swivel Inlet

NOTE: * = UL Listed



MODEL 4315 (Shown)

PRODUCT OPTIONS

FINISHES:

- B Polished Brass
- C Rough Chrome Plated
- D Polished Chrome Plated

THREADS:

- N.S.T. Other _____

VARIATIONS: (Cap w/ Chain)

- With Rocker Lugs

Call Potter Roemer - Fire Pro for current listings and approvals. Dimensions are subject to manufacturer's tolerance and may change without notice. Potter Roemer - Fire Pro assumes no responsibility for use of void or superseded data. © Copyright Potter Roemer - Fire Pro, Member of Morris Group International™ Please visit potterroemer.com for most current specifications.

4200/4300 SERIES Date: 06/22/20

MEMBERSHIP



FIRE EQUIPMENT
MANUFACTURERS'
ASSOCIATION



POTTER ROEMER/FIRE PRO

Headquarters:
P.O. Box 3527
City of Industry, CA
91744 U.S.A.
Los Angeles Area
800-366-3473
626-855-4890

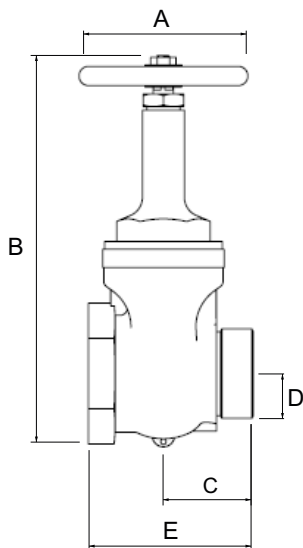
Also in:
New York (800) 526-4592
Chicago (800) 547-3473
Atlanta (800) 762-0542
Miami (833) 744-3473
Dallas (866) 644-3473

www.potterroemer.com

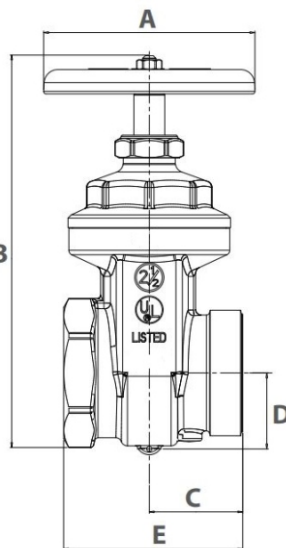
MODEL DIMENSIONS

Model No.	Size	Pressure	UL Listed	A	B OPEN	B CLOSED	C	D	E
4215	2-1/2	200 lb.	No	5-3/4	16-1/4	13-1/2	2-7/8	2-1/2	6-1/2
4235	3 x 2-1/2	300 lb.	Yes	5-3/4	16-1/4	13-1/2	3-1/8	2-1/2	3-3/16
4305	1-1/2	200 lb.	No	3-1/4	6-7/8	6-7/8	1-1/4	1-1/8	3-1/2
4315	2-1/2	300 lb.	Yes	5-1/8	9-13/16	9-13/16	2-1/4	2-1/16	4-11/32
4335	3 x 2-1/2	300 lb.	Yes	5-1/8	9-15/16	9-15/16	2-1/4	2-3/16	4-17/32
4365	2-1/2	300 lb.	Yes	5 1/8	9-11/16	9-11/16	2-1/4	2-1/16	5-5/16

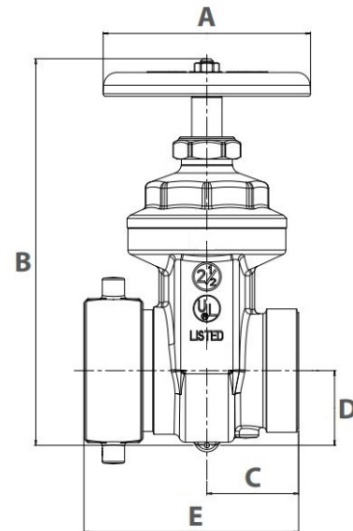
ALL DIMENSIONS IN INCHES



MODEL 4215-4235



MODEL 4305-4335



MODEL 4365

Call Potter Roemer - Fire Pro for current listings and approvals. Dimensions are subject to manufacturer's tolerance and may change without notice. Potter Roemer - Fire Pro assumes no responsibility for use of void or superseded data. © Copyright Potter Roemer - Fire Pro, Member of Morris Group International™ Please visit potterroemer.com for most current specifications.

4200/4300 SERIES

MEMBERSHIP



FIRE EQUIPMENT
MANUFACTURERS'
ASSOCIATION



CASPE
American Society of
Plumbing Engineers

ONFSA
NATIONAL FIRE SPRINKLER ASSOCIATION, INC.



POTTER ROEMER/FIRE PRO

Headquarters:
P.O. Box 3527
City of Industry, CA
91744 U.S.A.
Los Angeles Area
800-366-3473
626-855-4890

Also in:
New York (800) 526-4592
Chicago (800) 547-3473
Atlanta (800) 762-0542
Miami (833) 744-3473
Dallas (866) 644-3473

www.potterroemer.com