

## SPECIFICATIONS

4" Forged body with spring loaded brass check, body tapped 1/2" N.P.T. at inlet for ball drip.

## FUNCTIONS

Used to permit flow only in designated direction and prevent backflow. Type of installation as selected by model number.

## MODEL SELECTION

- 4510 Grooved
- 4515 Male x Grooved
- 4520 Male x Female

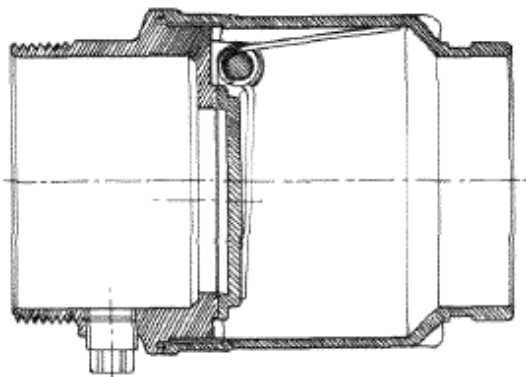


MODEL 4510 (Shown)

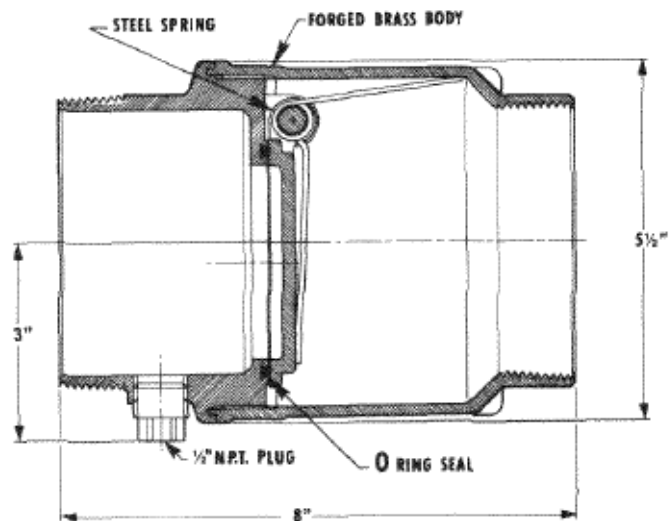
## PRODUCT OPTIONS

"No Available Options"

## MODEL DATA



MODEL 4515 Male x Grooved



MODEL 4520 Male x Female

Call Potter Roemer - Fire Pro for current listings and approvals. Dimensions are subject to manufacturer's tolerance and may change without notice. Potter Roemer - Fire Pro assumes no responsibility for use of void or superceded data. © Copyright Potter Roemer - Fire Pro, Member of Morris Group International™ Please visit [potterroemer.com](http://potterroemer.com) for most current specifications.

**4510 SERIES**

Date: 09/04/15

**MEMBERSHIP**



FIRE EQUIPMENT  
MANUFACTURERS'  
ASSOCIATION



CASPE  
American Society of  
Plumbing Engineers

**ONFSA**  
NATIONAL FIRE SPRINKLER ASSOCIATION, INC.



**POTTER ROEMER/FIRE PRO**

Headquarters:  
P.O. Box 3527  
City of Industry, CA  
91744 U.S.A.  
Los Angeles Area  
800-366-3473  
626-855-4890

Also in:  
New York (800) 526-4592  
Chicago (800) 547-3473  
Atlanta (800) 762-0542  
Miami (866) 961-3473  
Dallas (866) 644-3473

[www.potterroemer.com](http://www.potterroemer.com)