

SPECIFICATIONS

TWO-WAY INLETS

Stainless steel Siamese body. Two 2-1/2" Female NPT inlets by one 4" Female NPT outlet. Polished brass plate with lettering as selected. Polished brass 2-1/2" double female snoots with rigid end N.P.T. x pin lug hose thread swivels, pin lug plugs and chains. *Body rated up to 500psi. OEM FM*

MODEL SELECTION

- 5022-500** 4" Female NPT Bottom Outlet x Two 2-1/2" Female NPT Inlets
- 5023-500** 4" Female NPT Top Outlet x Two 2-1/2" Female NPT Inlets

PRODUCT OPTIONS

FINISHES:

- D Polished Chrome Plated

VARIATIONS:

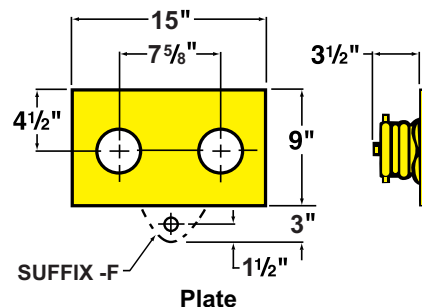
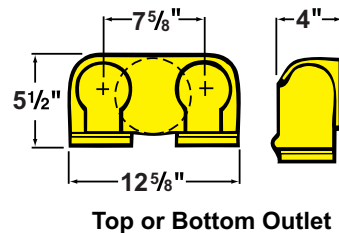
- F Sillcock Flange Plate with Sillcock

THREADS:

- N.S.T.
- Other _____

LETTERING AVAILABLE:

- AUTO. SPKR.
- STANDPIPE
- DRY STANDPIPE
- AUTO SPKR. STANDPIPE



Call Potter Roemer - Fire Pro for current listings and approvals. Dimensions are subject to manufacturer's tolerance and may change without notice. Potter Roemer - Fire Pro assumes no responsibility for use of void or superceded data. © Copyright Potter Roemer - Fire Pro, Member of Morris Group International™ Please visit potterroemer.com for most current specifications.

5020-500 SERIES Date: 9/29/18

MEMBERSHIP



FIRE EQUIPMENT
MANUFACTURERS'
ASSOCIATION

ONFSA
NATIONAL FIRE SPRINKLER ASSOCIATION, INC.



CASPE
American Society of
Plumbing Engineers



POTTER ROEMER/FIRE PRO

Headquarters:
P.O. Box 3527
City of Industry, CA
91744 U.S.A.
Los Angeles Area
800-366-3473
626-855-4890

Also in:
New York (800) 526-4592
Chicago (800) 547-3473
Atlanta (800) 762-0542
Miami (866) 961-3473
Dallas (866) 644-3473

www.potterroemer.com