

## SPECIFICATIONS

### TWO-WAY INLET

Cast brass two-way inlet body with drop clappers. Size and outlet location as selected by model number. Polished brass plate with lettering as selected. Two polished brass double female snoots with rigid end N.P.T. X pin lug, NYFD thread swivels with aluminum breakable caps. Color of caps per lettering selected.

### AUTOMATIC DRAIN DEVICE

Cast brass straight connection, male N.P.T. both ends.

## MODEL SELECTION

### INLET CONNECTION-CLAPPER

- \*5021-G Back Outlet
- \*5022-G Bottom Outlet
- \*5023-G Top Outlet
- 5024-G Back Outlet
- 5025-G Back Outlet
- 5026-G Bottom Outlet
- 5027-G Top Outlet
- 5028-G Bottom Outlet
- 5029-G Top Outlet

NOTE: \* = UL Listed

### AUTOMATIC DRAIN DEVICE

- 5982 3/4" Size



## PRODUCT OPTIONS

### FINISHES:

- D Polished Chrome Plated
- S Satin Chrome Plated

### VARIATIONS:

- F Sillcock Flange Plate with Sillcock

### LETTERING AVAILABLE:

- AUTO. SPKR. - Green Caps
- STANDPIPE - Red Caps
- AUTO SPKR. STANDPIPE - Yellow Caps
- DRY STANDPIPE - Red Caps

### OPTIONS:

- Rough Brass Plug and Chain
- Cast Iron Plug and Chain

Call Potter Roemer - Fire Pro for current listings and approvals. Dimensions are subject to manufacturer's tolerance and may change without notice. Potter Roemer - Fire Pro assumes no responsibility for use of void or superceded data. © Copyright Potter Roemer - Fire Pro, Member of Morris Group International™ Please visit [potterroemer.com](http://potterroemer.com) for most current specifications.

**5020-G NYC SERIES** Date: 11/01/16

**MEMBERSHIP**



FIRE EQUIPMENT  
MANUFACTURERS'  
ASSOCIATION

**ONFSA**  
NATIONAL IRRIE SPRINKLER ASSOCIATION, INC.



**CASPE**  
American Society of  
Plumbing Engineers



## POTTER ROEMER/FIRE PRO

Headquarters:  
P.O. Box 3527  
City of Industry, CA  
91744 U.S.A.  
Los Angeles Area  
800-366-3473  
626-855-4890

Also in:  
New York (800) 526-4592  
Chicago (800) 547-3473  
Atlanta (800) 762-0542  
Miami (866) 961-3473  
Dallas (866) 644-3473

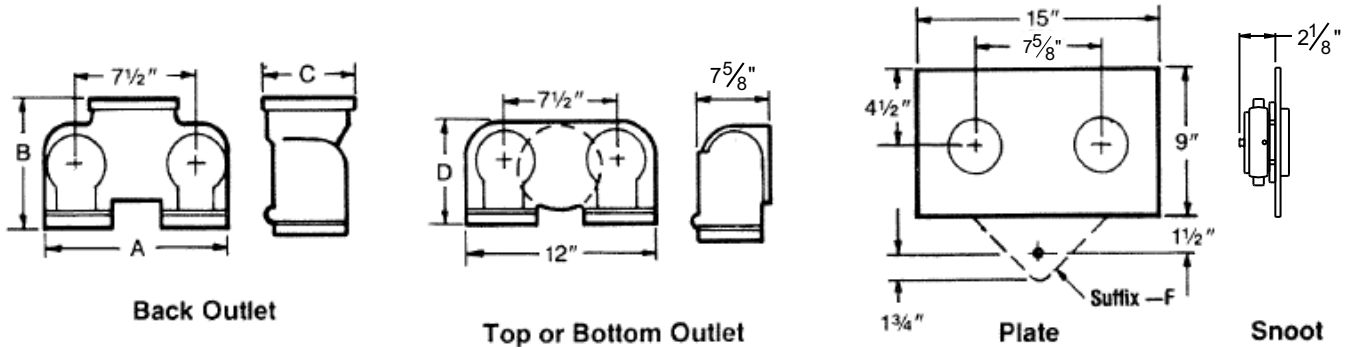
[www.potterroemer.com](http://www.potterroemer.com)

**MODEL DIMENSIONS**

**TWO-WAY INLET**

Back Outlet Model No.	Bottom Outlet Model No.	Top Outlet Model No.	Size	A	B	C	D
5021-G	5022-G	5023-G	4 x 3 x 3	12	6-1/2	5	6-1/2
5024-G	5028-G	5029-G	5 x 3 x 3	12-1/4	8-3/4	7-3/4	9-1/2
5025-G	5026-G	5027-G	6 x 3 x 3	12-1/4	8-1/4	7-5/8	9-1/2

ALL DIMENSIONS IN INCHES



Call Potter Roemer - Fire Pro for current listings and approvals. Dimensions are subject to manufacturer's tolerance and may change without notice. Potter Roemer - Fire Pro assumes no responsibility for use of void or superseded data. © Copyright Potter Roemer - Fire Pro, Member of Morris Group International™ Please visit [potterroemer.com](http://potterroemer.com) for most current specifications.

**5020-G NYC SERIES** Date: 11/01/16

**MEMBERSHIP**



FIRE EQUIPMENT  
MANUFACTURERS'  
ASSOCIATION



**POTTER ROEMER/FIRE PRO**

Headquarters:  
P.O. Box 3527  
City of Industry, CA  
91744 U.S.A.  
Los Angeles Area  
800-366-3473  
626-855-4890

Also in:  
New York (800) 526-4592  
Chicago (800) 547-3473  
Atlanta (800) 762-0542  
Miami (866) 961-3473  
Dallas (866) 644-3473

[www.potterroemer.com](http://www.potterroemer.com)