

## SPECIFICATIONS

### TWO-WAY & THREE-WAY INLETS

Cast brass body with drop clappers. Size, outlet location and number of inlets as selected by model number. Polished brass plate with lettering as selected. Polished brass 2-1/2" double female snoots with rigid end N.P.T. x pin lug hose thread swivels, pin lug plugs and chains.

## MODEL SELECTION

- \*5021 Back Outlet
- \*5022 Bottom Outlet
- \*5023 Top Outlet
- \*5025 Back Outlet
- 5026 Bottom Outlet
- 5027 Top Outlet
- 5031 Back Outlet
- 5032 Bottom Outlet
- 5033 Top Outlet

NOTE: \* = U/L Listed



## PRODUCT OPTIONS

### FINISHES:

- D Polished Chrome Plated

### VARIATIONS:

- F Sillcock Flange Plate with Sillcock

### THREADS:

- N.S.T.
- Other \_\_\_\_\_

### LETTERING AVAILABLE:

- AUTO. SPKR.
- STANDPIPE
- DRY STANDPIPE
- AUTO SPKR. STANDPIPE

Call Potter Roemer - Fire Pro for current listings and approvals. Dimensions are subject to manufacturer's tolerance and may change without notice. Potter Roemer - Fire Pro assumes no responsibility for use of void or superseded data. © Copyright Potter Roemer - Fire Pro, Member of Morris Group International™ Please visit [potterroemer.com](http://potterroemer.com) for most current specifications.

**5020-5030 SERIES** Date: 9/25/18

**MEMBERSHIP**



FIRE EQUIPMENT  
MANUFACTURERS'  
ASSOCIATION

**ONFSA**  
NATIONAL IRRIE SPRINKLER ASSOCIATION, INC.



**CASPE**  
American Society of  
Plumbing Engineers



## POTTER ROEMER/FIRE PRO

Headquarters:  
P.O. Box 3527  
City of Industry, CA  
91744 U.S.A.  
Los Angeles Area  
800-366-3473  
626-855-4890

Also in:  
New York (800) 526-4592  
Chicago (800) 547-3473  
Atlanta (800) 762-0542  
Miami (866) 961-3473  
Dallas (866) 644-3473

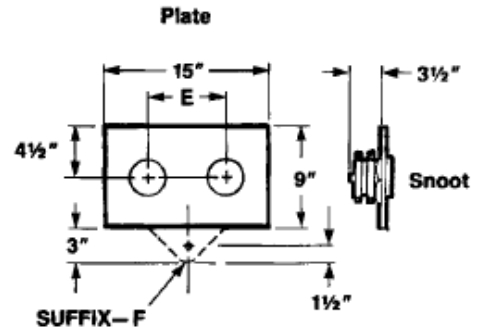
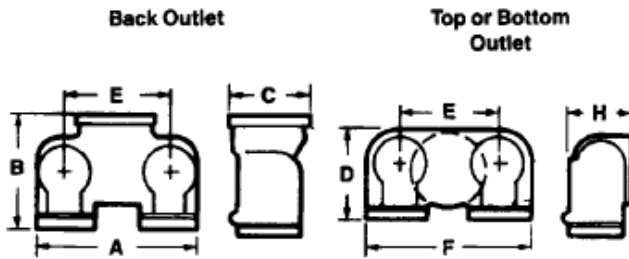
[www.potterroemer.com](http://www.potterroemer.com)

**MODEL DIMENSIONS**

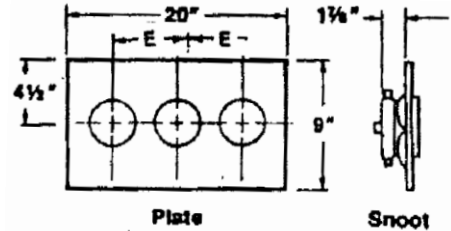
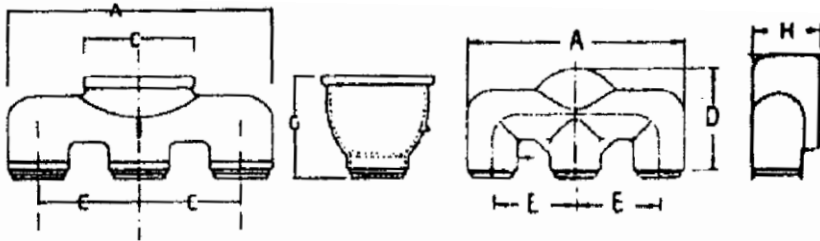
**TWO-WAY AND THREE-WAY INLET**

Outlet Location			Size	A	B	C	D	E	F	G	H	No. Inlets
Back Outlet Model No.	Bottom Outlet Model No.	Top Outlet Model No.										
*5021	*5022	*5023	4 x 2-1/2 x 2-1/2	11	6	5-1/2	6	7	11	-	5-3/4	2
*5025	5026	5027	6 x 2-1/2 x 2-1/2	12-3/4	8-3/4	7-3/4	9-1/2	7-1/2	12	-	5-1/4	2
5031	5032	5033	6 x 2-1/2 x 2-1/2 x 2-1/2	17-5/16	-	7-3/8	-	6-5/8	6-3/4	6-3/4	6	3

ALL DIMENSIONS IN INCHES



**TWO-WAY INLET**



**THREE-WAY INLET**

Call Potter Roemer - Fire Pro for current listings and approvals. Dimensions are subject to manufacturer's tolerance and may change without notice. Potter Roemer - Fire Pro assumes no responsibility for use of void or superseded data. © Copyright Potter Roemer - Fire Pro, Member of Morris Group International™ Please visit [potterroemer.com](http://potterroemer.com) for most current specifications.

**5020-5030 SERIES** Date: 9/25/18

**MEMBERSHIP**



FIRE EQUIPMENT  
MANUFACTURERS'  
ASSOCIATION

**ONFSA**  
NATIONAL FIRE SPRINKLER ASSOCIATION, INC.



**CASPE**  
American Society of  
Plumbing Engineers



**POTTER ROEMER/FIRE PRO**

Headquarters:  
P.O. Box 3527  
City of Industry, CA  
91744 U.S.A.  
Los Angeles Area  
800-366-3473  
626-855-4890

Also in:  
New York (800) 526-4592  
Chicago (800) 547-3473  
Atlanta (800) 762-0542  
Miami (866) 961-3473  
Dallas (866) 644-3473

[www.potterroemer.com](http://www.potterroemer.com)