

**SERIES 5522-5586 FLUSH FIRE DEPARTMENT
INLET CONNECTIONS CLAPPER SNOOT TYPE****Used as an Auxiliary Inlet Connection.**

Cast Brass or Ductile iron (thermally-fused red polyester coated) body. Type and size of outlet and number of inlets as selected by model number. Polished brass plate with lettering as selected. U/L listed polished brass double female clapper snoots with rigid end 3" (76.2cm) NPT x 2 1/2" (6.4cm) pin lug hose thread swivels, pin lug plugs and chains.

MODEL SELECTION**TWO-WAY****Vertical**

- 5522 4" End Outlet Ductile Iron
- 5523 4" Back Outlet Ductile Iron
- 5524 4" Angle Outlet Ductile Iron
- 5532 6" End Outlet Ductile Iron
- 5533 6" Back Outlet Ductile Iron
- 5534 6" Angle Outlet Ductile Iron

Horizontal

- 5526 4" End Outlet Ductile Iron
- 5527 4" Back Outlet Ductile Iron
- 5528 4" Angle Outlet Ductile Iron
- 5536 6" End Outlet Ductile Iron
- 5537 6" Back Outlet Ductile Iron
- 5538 6" Angle Outlet Ductile Iron

FOUR-WAY**Vertical**

- 5541 6" End Outlet Brass
- 5542 6" End Outlet Ductile Iron
- 5543 6" Back Outlet Ductile Iron
- 5544 6" Angle Outlet Ductile Iron

Horizontal

- 5545 6" End Outlet Brass
- 5546 6" End Outlet Ductile Iron
- 5547 6" Back Outlet Ductile Iron
- 5548 6" Angle Outlet Ductile Iron
- 5551 6" Back Outlet Brass
- 5552 6" Angle Outlet Brass

SIX-WAY**Vertical**

- 5561 6" End Outlet Brass
- 5567 8" End Outlet Brass

Horizontal

- 5562 6" Angle Outlet Brass
- 5564 6" Back Outlet Brass
- 5565 6" End Outlet Brass
- 5566 8" Angle Outlet Brass
- 5568 8" Back Outlet Brass
- 5569 8" End Outlet Brass

FOUR-WAY SQUARE

- 5581 6" Angle Outlet Brass
- 5582 8" Angle Outlet Ductile Iron
- 5585 6" Back Outlet Brass
- 5586 6" Back Outlet Ductile Iron



MODEL 5564 (Shown)

PRODUCT OPTIONS**LETTERING AVAILABLE:**

- S STANDPIPE
- DS DRY STANDPIPE
- A AUTO. SPKR.
- AS/SP AUTO. SPKR. STANDPIPE
- OTHER

FINISHES:

- D Polished Chrome Plated

VARIATIONS:

- F Sillcock Flange Plate with Sillcock

OPTIONS:

- GRV Grooved Outlet

THREADS:

- N.S.T.
- Other _____

Call Potter Roemer - Fire Pro for current listings and approvals. Dimensions are subject to manufacturer's tolerance and may change without notice. Potter Roemer - Fire Pro assumes no responsibility for use of void or superseded data. © Copyright Potter Roemer - Fire Pro, Member of Morris Group International™ Please visit potterroemer.com for most current specifications.

5522-5586 SERIES Date: 10/23/24**MEMBERSHIP**

FIRE EQUIPMENT
MANUFACTURERS'
ASSOCIATION

ONFSA
NATIONAL IRRE SPRINKLER ASSOCIATION, INC.



CASPE
American Society of
Plumbing Engineers

**POTTER ROEMER**

Headquarters:
P.O. Box 3527
City of Industry, CA
91744 U.S.A.
Los Angeles Area
800-366-3473
626-855-4890

Also in:
New York (800) 526-4592
Chicago (800) 547-3473
Atlanta (800) 762-0542
Miami (833) 744-3473
Dallas (866) 644-3473

www.potterroemer.com

**SERIES 5522-5586 FLUSH FIRE DEPARTMENT
INLET CONNECTIONS CLAPPER SNOOT TYPE**

MODEL DIMENSIONS

INSTALLATION		No. Inlets	Outlet Size	Outlet Location	Body Material	Dimensions				
Vertical Model No.	Horizontal Model No.					A	B	C	D	E
Two-Way										
5522	5526	2	4	End	Ductile Iron	5 1/4	-	15	-	7 1/2
5523	5527	2	4	Back	Ductile Iron	5 1/4	14	-	-	7 1/2
5524	5528	2	4	Angle	Ductile Iron	5 1/4	14	-	-	7 1/2
5532	5536	2	6	End	Ductile Iron	7 3/4	-	15	-	7 1/2
5533	5537	2	6	Back	Ductile Iron	7 3/4	14	-	-	7 1/2
Four-Way										
5541	5545	4	6	End	Brass	7 5/8	-	30 23/64	-	8 11/32
5542	5546	4	6	End	Ductile Iron	7 3/4	-	30	-	7 3/4
5543	5547	4	6	Back	Ductile Iron	7 3/4	29	-	-	7 3/4
5544	5548	4	6	Angle	Ductile Iron	7 3/4	29	-	-	7 3/4
Six-Way										
5561	5565	6	6	End	Brass	7 21/64	-	44 23/64	-	8 11/32
	5562	6	6	Angle	Brass	7 21/64	46 7/32	-	-	8 25/32
	5564	6	6	Back	Brass	7 21/64	46 7/32	-	-	9 13/32
	5566	6	8	Angle	Brass	9 1/8	46 7/32	-	-	10 25/32
5567	5569	6	8	End	Brass	9 1/8	-	44 23/64	-	8 11/32
	5568	6	8	Back	Brass	9 1/8	-	46 7/32	-	11 13/32
Four-Way Square										
5581		4	6	Angle	Brass	-	11 29/32	-	-	7 31/64
5582		4	6	Angle	Ductile Iron	-	13	-	-	8
5585		4	6	Back	Brass	7 31/64	11 29/32	-	8 55/64	-
5586		4	6	Back	Ductile Iron	7	13	-	7 31/64	-

ALL DIMENSIONS IN INCHES

Call Potter Roemer - Fire Pro for current listings and approvals. Dimensions are subject to manufacturer's tolerance and may change without notice. Potter Roemer - Fire Pro assumes no responsibility for use of void or superceded data. © Copyright Potter Roemer - Fire Pro, Member of Morris Group International™ Please visit potterroemer.com for most current specifications.

5522-5586 SERIES

MEMBERSHIP



FIRE EQUIPMENT
MANUFACTURERS'
ASSOCIATION



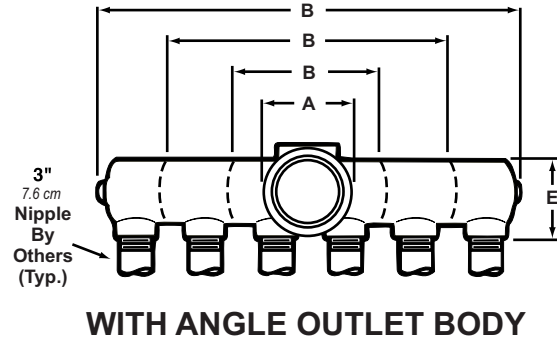
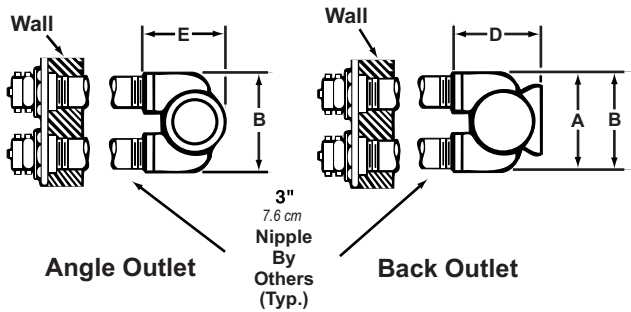
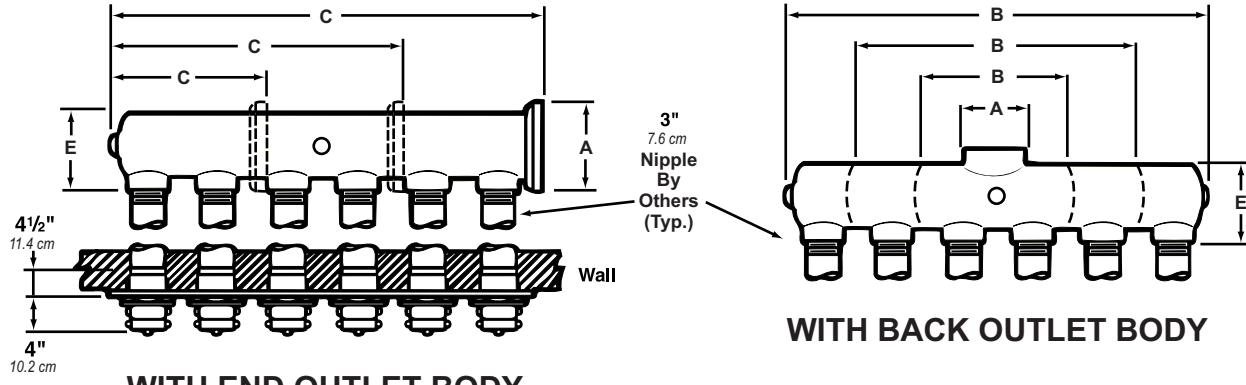
POTTER ROEMER

Headquarters:
P.O. Box 3527
City of Industry, CA
91744 U.S.A.
Los Angeles Area
800-366-3473
626-855-4890

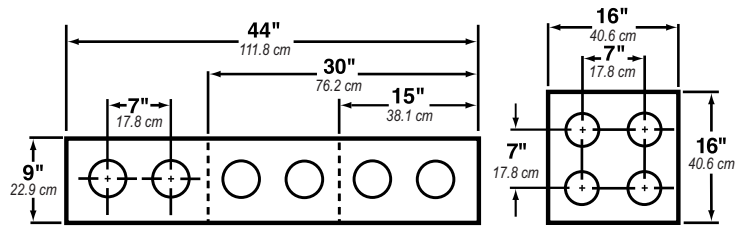
Also in:
New York (800) 526-4592
Chicago (800) 547-3473
Atlanta (800) 762-0542
Miami (833) 744-3473
Dallas (866) 644-3473

www.potterroemer.com

**SERIES 5522-5586 FLUSH FIRE DEPARTMENT
 INLET CONNECTIONS CLAPPER SNOOT TYPE**



FOUR-WAY SQUARE BODY



Call Potter Roemer - Fire Pro for current listings and approvals. Dimensions are subject to manufacturer's tolerance and may change without notice. Potter Roemer-Fire Pro assumes no responsibility for use of void or superseded data. © Copyright Potter Roemer- Fire Pro, Member of Morris Group International™ Please visit potterroemer.com for most current specifications.

5522-5586 SERIES

MEMBERSHIP



**FIRE EQUIPMENT
 MANUFACTURERS'
 ASSOCIATION**

ONFSA
 NATIONAL FIRE SPRINKLER ASSOCIATION, INC.



CASPE
 American Society of
 Plumbing Engineers



POTTER ROEMER

Headquarters:
 P.O. Box 3527
 City of Industry, CA
 91744 U.S.A.
 Los Angeles Area
 800-366-3473
 626-855-4890

Also in:
 New York (800) 526-4592
 Chicago (800) 547-3473
 Atlanta (800) 762-0542
 Miami (833) 744-3473
 Dallas (866) 644-3473

www.potterroemer.com