

SPECIFICATIONS

SINGLE WALL HYDRANT

Polished brass 8" plate lettered HYDRANT and female N.P.T. x male hose thread snoot with cap and chain. Round or square plate and size as selected by model number.

TWO-WAY & THREE-WAY WALL HYDRANTS

Polished brass 8" plate lettered HYDRANT and female N.P.T. x male hose thread snoot with cap and chain. Rectangle plate and size as selected by model number.

MODEL SELECTION

ROUND SINGLE HYDRANTS

- 5801 2-1/2" Female NPT x Male Hose
- 5802 3" Female NPT x 2-1/2" Male Hose
- 5803 3" Female NPT x Male Hose

SQUARE SINGLE HYDRANTS

- 5811 2-1/2" Female NPT x Male Hose
- 5812 3" Female NPT x 2-1/2" Male Hose
- 5813 3" Female NPT x Male Hose

TWO-WAY HYDRANTS

- 5821 4" Female NPT x 2-1/2" Male Hose Back Outlet
- 5822 4" Female NPT x 2-1/2" Male Hose Angle Outlet
- 5825 6" Female NPT x 2-1/2" Male Hose Back Outlet
- 5826 6" Female NPT x 2-1/2" Male Hose Angle Outlet

THREE WAY HYDRANTS

- 5835 6" Female NPT x 2-1/2" Male Hose Back Outlet
- 5836 6" Female NPT x 2-1/2" Male Hose Angle Outlet



PRODUCT OPTIONS

FINISHES:

- D Polished Chrome Plated

OPTION:

- G 3" Male hose Thread Outlet

THREADS:

- N.S.T.
- Other _____

LETTERING AVAILABLE:

- WALL HYDRANT
- HYDRANT

Call Potter Roemer - Fire Pro for current listings and approvals. Dimensions are subject to manufacturer's tolerance and may change without notice. Potter Roemer - Fire Pro assumes no responsibility for use of void or superseded data. © Copyright Potter Roemer - Fire Pro, Member of Morris Group International™ Please visit potterroemer.com for most current specifications.

5801-5836 SERIES Date: 3/30/20

MEMBERSHIP



FIRE EQUIPMENT
MANUFACTURERS'
ASSOCIATION



POTTER ROEMER/FIRE PRO

Headquarters:
P.O. Box 3527
City of Industry, CA
91744 U.S.A.
Los Angeles Area
800-366-3473
626-855-4890

Also in:
New York (800) 526-4592
Chicago (800) 547-3473
Atlanta (800) 762-0542
Miami (833) 744-3473
Dallas (866) 644-3473

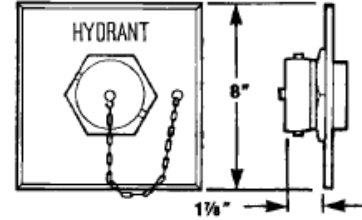
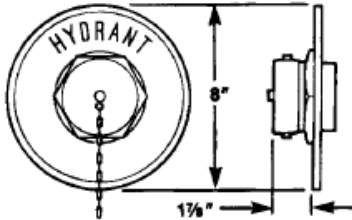
www.potterroemer.com

MODEL DIMENSIONS

ROUND SINGLE HYDRANT	
Model No.	Size
5801	2-1/2"
5802	2-1/2" x 3"
5803	3"

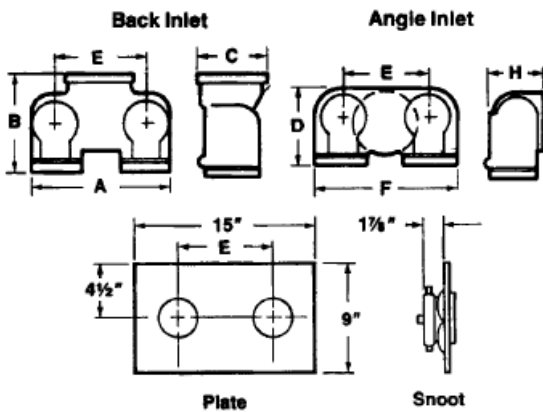


SQUARE SINGLE HYDRANT	
Model No.	Size
5811	2-1/2"
5812	2-1/2" x 3"
5813	3"

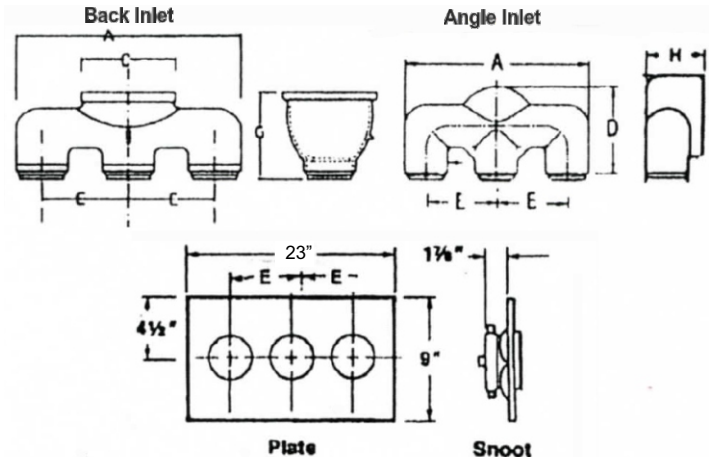


TWO-WAY & THREE-WAY HYDRANTS

Inlet Location		Size	No. Outlets	A	B	C	D	E	F	G	H
Back Model No.	Angle Model No.										
5821	5822	4 x 2-1/2 x 2-1/2	2	11	6	5-1/2	6	7	11	-	5-3/4
5825	5826	6 x 2-1/2 x 2-1/2	2	12-3/4	8-3/4	7-3/4	9-1/2	7-5/8	12	-	5-1/4
5835	5836	6 x 2-1/2 x 2-1/2 x 2-1/2	3	17-5/16	-	7-3/8	-	6-5/8	6-3/4	6-3/4	6



Two-Way Hydrant



Three-Way Hydrant

Call Potter Roemer - Fire Pro for current listings and approvals. Dimensions are subject to manufacturer's tolerance and may change without notice. Potter Roemer - Fire Pro assumes no responsibility for use of void or superseded data. © Copyright Potter Roemer - Fire Pro, Member of Morris Group International™ Please visit potterroemer.com for most current specifications.

5801-5836 SERIES

MEMBERSHIP



FIRE EQUIPMENT
MANUFACTURERS'
ASSOCIATION

ONFSA
NATIONAL IRRE SPRINKLER ASSOCIATION, INC.



CASPE
American Society of
Plumbing Engineers



POTTER ROEMER/FIRE PRO

Headquarters:
P.O. Box 3527
City of Industry, CA
91744 U.S.A.
Los Angeles Area
800-366-3473
626-855-4890

Also in:
New York (800) 526-4592
Chicago (800) 547-3473
Atlanta (800) 762-0542
Miami (833) 744-3473
Dallas (866) 644-3473

www.potterroemer.com