

SPECIFICATIONS

FLUSH HYDRANT VALVE CONTROLS

Polished brass 7" plate lettered HYDRANT VALVE CONTROL threaded 1-1/2" female N.P.T. on back and 2-1/2" N.S.T. male on front with cap and chain. Rough brass 1-1/2" N.P.T. lock nut, 30" long x 7/8" square steel extension rod with coupling for attachment to stem of gate valve.

FREE STANDING HYDRANT VALVE CONTROLS

Polished brass round base plate lettered HYDRANT VALVE CONTROL threaded 1-1/2" x 16" long polished brass cover sleeve and cap chain. Rough brass 1-1/2" N.P.T. lock nut, 30" long x 7/8" square steel extension rod with coupling for attachment to stem of below grade gate valve.



MODEL SELECTION

FLUSH HYDRANT VALVE CONTROLS

- 5850 Round Plate
- 5852 Square Plate

FREE STANDING HYDRANT VALVE CONTROLS

- 5855 Round Plate

PRODUCT OPTIONS

FINISHES:

- D Polished Chrome Plated

VARIATION:

- H Valve Control Wrench
- 2 For Valve with 2" SQ Head Specify 5850 Rod -2

Call Potter Roemer - Fire Pro for current listings and approvals. Dimensions are subject to manufacturer's tolerance and may change without notice. Potter Roemer - Fire Pro assumes no responsibility for use of void or superseded data. © Copyright Potter Roemer - Fire Pro, Member of Morris Group International™ Please visit potterroemer.com for most current specifications.

5850-5855 SERIES Date: 3/26/20

MEMBERSHIP



FIRE EQUIPMENT
MANUFACTURERS'
ASSOCIATION

ONFSA
NATIONAL IRISE SPRINKLER ASSOCIATION, INC.



CASPE
American Society of
Plumbing Engineers



POTTER ROEMER/FIRE PRO

Headquarters:
P.O. Box 3527
City of Industry, CA
91744 U.S.A.
Los Angeles Area
800-366-3473
626-855-4890

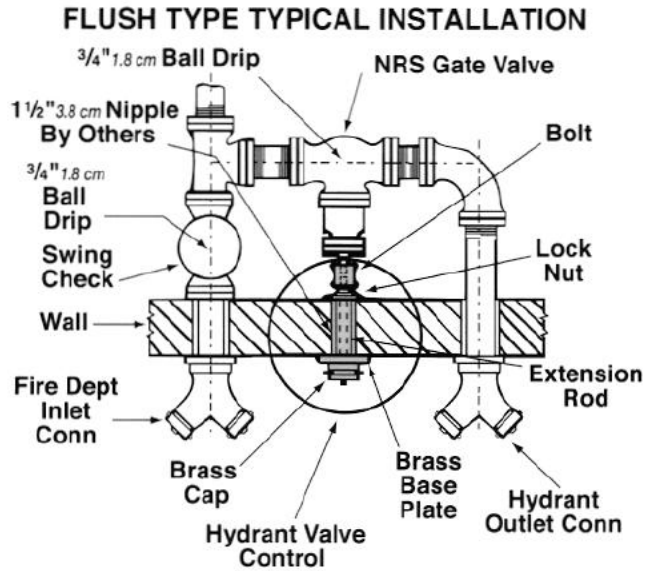
Also in:
New York (800) 526-4592
Chicago (800) 547-3473
Atlanta (800) 762-0542
Miami (833) 744-3473
Dallas (866) 644-3473

www.potterroemer.com

HYDRANT VALVE CONTROL INSTALLATIONS



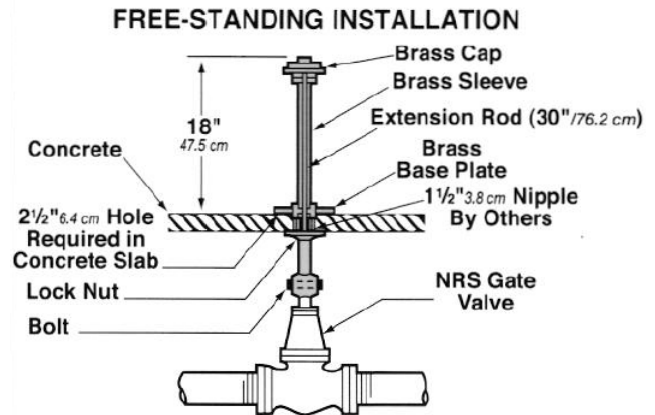
MODELS 5850 & 5852



HYDRANT VALVE CONTROL



MODELS 5855



Call Potter Roemer - Fire Pro for current listings and approvals. Dimensions are subject to manufacturer's tolerance and may change without notice. Potter Roemer-Fire Pro assumes no responsibility for use of void or superceded data. © Copyright Potter Roemer- Fire Pro, Member of Morris Group International™ Please visit potterroemer.com for most current specifications.

5850-5855 SERIES

MEMBERSHIP



**FIRE EQUIPMENT
MANUFACTURERS'
ASSOCIATION**



POTTER ROEMER/FIRE PRO

Headquarters:
P.O. Box 3527
City of Industry, CA
91744 U.S.A.
Los Angeles Area
800-366-3473
626-855-4890

Also in:
New York (800) 526-4592
Chicago (800) 547-3473
Atlanta (800) 762-0542
Miami (833) 744-3473
Dallas (866) 644-3473

www.potterroemer.com