

SPECIFICATIONS

PUMP TEST CONNECTION

Cast brass body with end inlet, size and number of outlets as selected by model number. Brass plate lettered "PUMP TEST CONNECTION," Brass NRS hose gate valves with loose bonnets, 3" female, NPT inlet x 2-1/2" Male hose thread outlet, with caps and chains.

VARIATIONS

-1 - Ductile Iron Body with red glossy polyester coating. Inlet size, location and number of outlets as selected by model number and as indicated on Variation Chart.

-1.5 - Fabricated Steel Body with red glossy polyester coating. Inlet size, location and number of outlets as selected by model number and as indicated on Variation Chart.

-2, -3 - Brass or ductile iron body. Inlet size, location and number of outlets as selected by model number and as indicated on Variation Chart.

-4, -5 - Square four way brass or ductile iron body. Back or angle inlet as selected and indicated on Variation Chart.

-6 - Male 2-1/2" hose thread snoots with cap and chain instead of affixed valves. Number of outlets as selected by model number and as indicated on Variation Chart.

-7 - Male 2-1/2" hose thread snoots, caps and chains, and removable swivel hose gate valves.

-LB - Less Body

MODEL SELECTION

- 5862 Fabricated Steel Body Standard
- 5863 Cast Brass Body Standard
- 5864 Cast Brass Body Standard
- 5865 Cast Brass Body Standard



PRODUCT OPTIONS

FINISHES:

- B Polished Brass
- C Polished Chrome Trim, Rough Chrome Valves
- D Polished Chrome Plated

THREADS:

- N.S.T.
- Other _____

VARIATION SELECTION

BODY MATERIAL:

- 1 Ductile Iron
- 1.5 Fabricated Steel

BODY INLET:

- 2 Back
- 3 Angle
- 4 Square Back, Brass or Ductile
- 5 Square Angle, Brass or Ductile

OUTLETS:

- 6 Male Snoots, Caps, and Chains
- 7 Male Snoots, Caps, and Chains and Removable Swivel Hose Gate Valves (Valves normally furnished rough brass)

Call Potter Roemer - Fire Pro for current listings and approvals. Dimensions are subject to manufacturer's tolerance and may change without notice. Potter Roemer - Fire Pro assumes no responsibility for use of void or superseded data. © Copyright Potter Roemer - Fire Pro, Member of Morris Group International™ Please visit potterroemer.com for most current specifications.

5862-5865 SERIES Date: 3/19/20

MEMBERSHIP



FIRE EQUIPMENT
MANUFACTURERS'
ASSOCIATION

ONFSA
NATIONAL IRRE SPRINKLER ASSOCIATION, INC.



CASPE
American Society of
Plumbing Engineers



POTTER ROEMER/FIRE PRO

Headquarters:
P.O. Box 3527
City of Industry, CA
91744 U.S.A.
Los Angeles Area
800-366-3473
626-855-4890

Also in:
New York (800) 526-4592
Chicago (800) 547-3473
Atlanta (800) 762-0542
Miami (833) 744-3473
Dallas (866) 644-3473

www.potterroemer.com

AVAILABLE VARIATIONS BY MODEL NUMBER

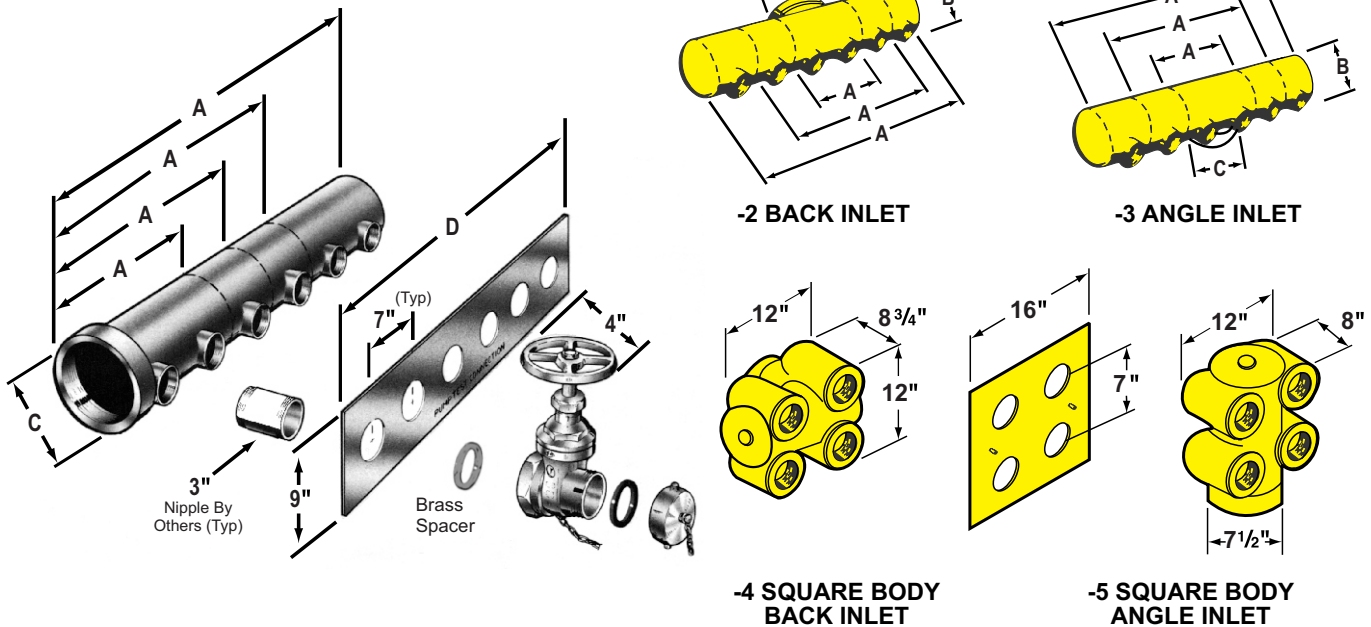
Suffix No.	Model No.			
	5862	5863	5864	5865
Body Material				
-1 Ductile	Yes	No	Yes	No
-1.5 Fabricated Steel	No*	Yes	Yes	Yes
Body Inlet				
-2 Back	Yes	Yes +	Yes	Yes
-3 Angle	Yes	Yes +	Yes	Yes
-4 Sq. Back, Brass or Ductile	No	No	Yes	No
-5 Sq. Angle, Brass or Ductile	No	No	Yes	No
Outlets				
-6 Male Snoots, Caps, and Chains	Yes	Yes	Yes	Yes
-7 Male Snoots, Caps and Chains, and Removable Swivel Hose Gate Valves	Yes	Yes	Yes	Yes

+ Steel body only

MODEL DIMENSIONS

Model No.	Pump Size G.P.M.	Inlet Size	Number Outlets	A	B	C	D
5862*	500	4"	2	15-1/4"	5-1/4"	6"	16"
5863	750	6"	3	22-1/4"	6-1/4"	6-3/4"	23"
5864	1000	6"	4	28-3/4"	7-3/4"	7-3/4"	30"
5865	2000	8"	6	43"	7-3/4"	9-3/4"	44"

* Body is Regularly Furnished Fabricated Steel
-1.5 Option not applicable.



<p>Call Potter Roemer - Fire Pro for current listings and approvals. Dimensions are subject to manufacturer's tolerance and may change without notice. Potter Roemer - Fire Pro assumes no responsibility for use of void or superseded data. © Copyright Potter Roemer - Fire Pro, Member of Morris Group International™ Please visit potterroemer.com for most current specifications.</p> <p>5862-5865 SERIES</p>	<p>MEMBERSHIP</p> 	<p>POTTER ROEMER/FIRE PRO</p> <p>Headquarters: P.O. Box 3527 City of Industry, CA 91744 U.S.A. Los Angeles Area 800-366-3473 626-855-4890</p> <p>Also in: New York (800) 526-4592 Chicago (800) 547-3473 Atlanta (800) 762-0542 Miami (833) 744-3473 Dallas (866) 644-3473</p> <p>www.potterroemer.com</p>
---	---	---