

SPECIFICATIONS

18 gauge galvanized steel with red glossy polyester coating. Interlocking assembly construction with two shelves, doors with continuous steel hinge (stainless steel pin) equipment brackets, corner hold down brackets and padlock hasp. Shipped unassembled with instructions and 4" high Fire Hose lettering. Two sets of louvers on each side, base supplied by others.

MODEL SELECTION

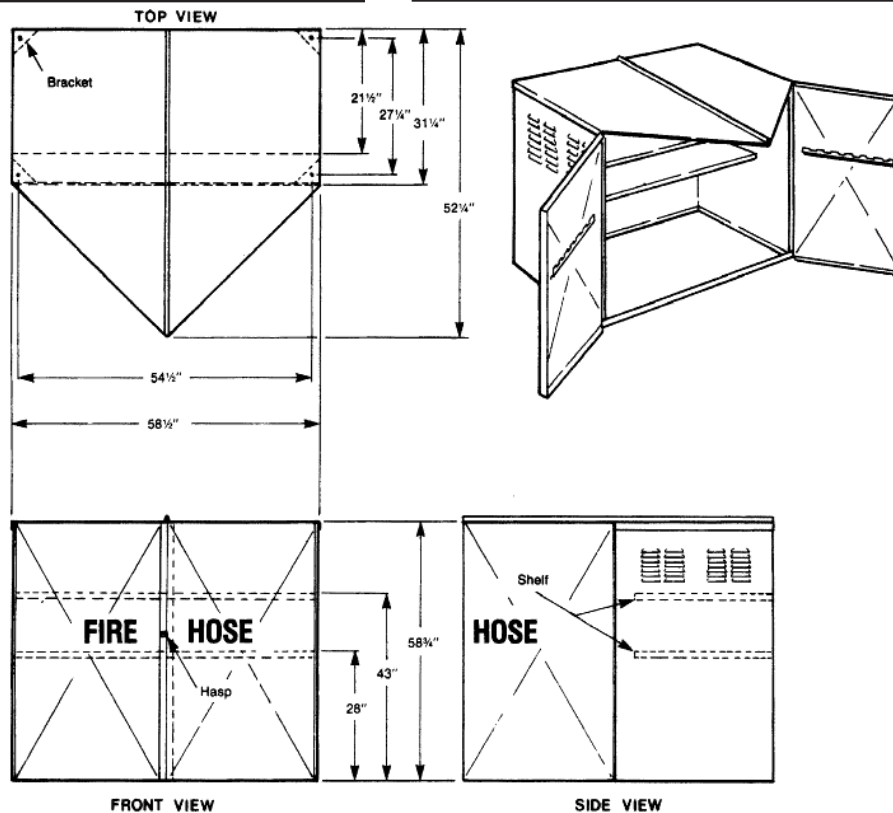
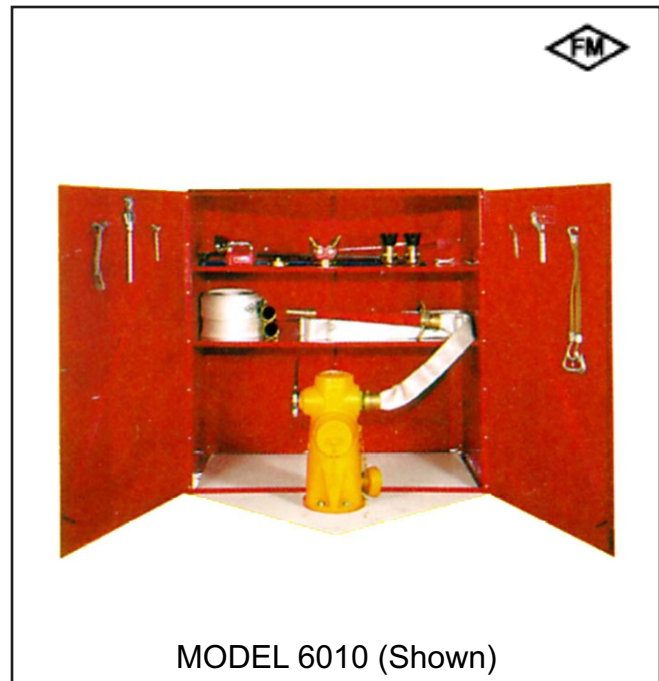
6010

PRODUCT OPTIONS

MATERIAL:

-AL Aluminum construction with red glossy polyester coating

MODEL DIMENSIONS



Call Potter Roemer - Fire Pro for current listings and approvals. Dimensions are subject to manufacturer's tolerance and may change without notice. Potter Roemer - Fire Pro assumes no responsibility for use of void or superseded data. © Copyright Potter Roemer - Fire Pro, Member of Morris Group International™ Please visit potterroemer.com for most current specifications.

6010 SERIES

Date: 09/20/18

MEMBERSHIP



FIRE EQUIPMENT
MANUFACTURERS'
ASSOCIATION

ONFSA
NATIONAL FIRE SPRINKLER ASSOCIATION, INC.



CASPE
American Society of
Plumbing Engineers



POTTER ROEMER/FIRE PRO

Headquarters:
P.O. Box 3527
City of Industry, CA
91744 U.S.A.
Los Angeles Area
800-366-3473
626-855-4890

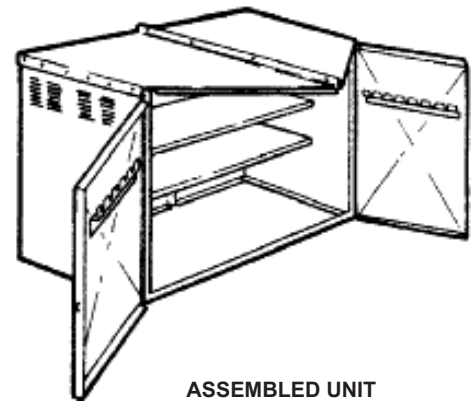
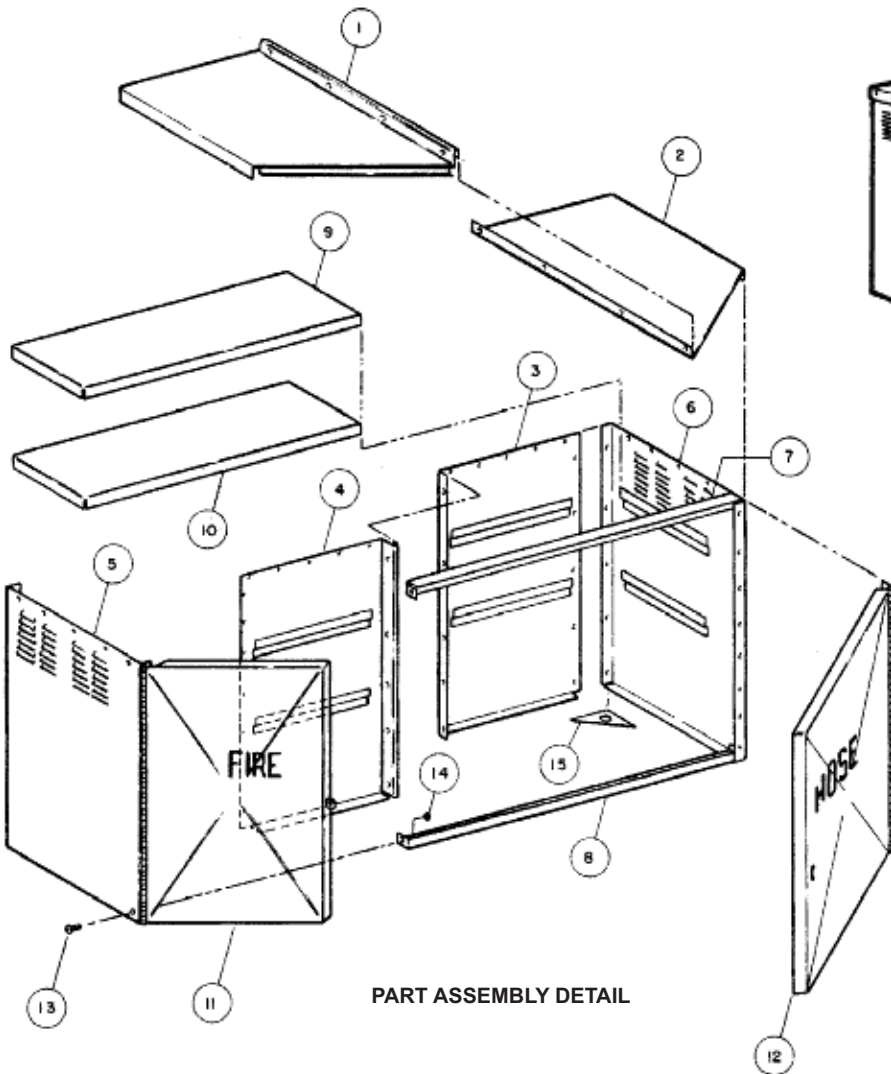
Also in:
New York (800) 526-4592
Chicago (800) 547-3473
Atlanta (800) 762-0542
Miami (866) 961-3473
Dallas (866) 644-3473

www.potterroemer.com

MODEL ASSEMBLY

PARTS LIST

NO.	DESCRIPTION	QTY.	NO.	DESCRIPTION	QTY.
1	LEFT TOP PANEL	1	10	BOTTOM SHELF	1
2	RIGHT TOP PANEL	1	11	LEFT DOOR	1
3	RIGHT BACK PANEL	1	12	RIGHT DOOR	1
4	LEFT BACK PANEL	1	13	PAN HEAD SCREWS	50
5	LEFT SIDE PANEL	1	14	NUTS	30
6	RIGHT SIDE PANEL	1	15	CORNER HOLD DOWN BRACKET	4
7	TOP STIFFENER ANGLE	1	16	4" FIRE HOSE LETTERING	1
8	BOTTOM STIFFENER ANGLE	1	17	DOOR TIE	2
9	TOP SHELF	1			



PART ASSEMBLY DETAIL

Call Potter Roemer - Fire Pro for current listings and approvals. Dimensions are subject to manufacturer's tolerance and may change without notice. Potter Roemer - Fire Pro assumes no responsibility for use of void or superseded data. © Copyright Potter Roemer - Fire Pro, Member of Morris Group International™ Please visit potterroemer.com for most current specifications.

6010 SERIES

Date: 09/20/18

MEMBERSHIP



**FIRE EQUIPMENT
MANUFACTURERS'
ASSOCIATION**



POTTER ROEMER/FIRE PRO

Headquarters:
P.O. Box 3527
City of Industry, CA
91744 U.S.A.
Los Angeles Area
800-366-3473
626-855-4890

Also in:
New York (800) 526-4592
Chicago (800) 547-3473
Atlanta (800) 762-0542
Miami (866) 961-3473
Dallas (866) 644-3473

www.potterroemer.com