

## SPECIFICATIONS

16 gauge galvanized steel with red glossy polyester coating. Interlocking assembly construction with two shelves, with continuous steel hinge (stainless steel pin) equipment brackets, corner hold down brackets and padlock hasp. Hipped unassembled with instructions and 4" high Fire Hose lettering. Two sets of louvers on each side, base supplied by others.

## MODEL SELECTION

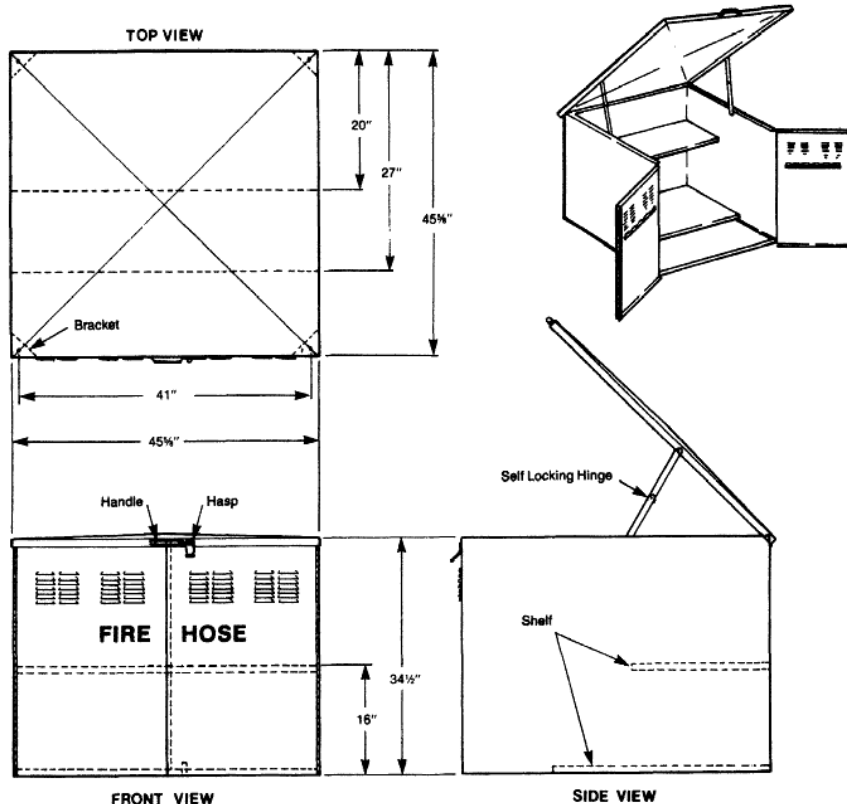
6025

## PRODUCT OPTIONS

### MATERIAL:

-AL Aluminum construction with red glossy polyester coating

## MODEL DIMENSIONS



Call Potter Roemer - Fire Pro for current listings and approvals. Dimensions are subject to manufacturer's tolerance and may change without notice. Potter Roemer - Fire Pro assumes no responsibility for use of void or superseded data. © Copyright Potter Roemer - Fire Pro, Member of Morris Group International™ Please visit [potterroemer.com](http://potterroemer.com) for most current specifications.

**6025 SERIES**

Date: 09/20/18

**MEMBERSHIP**



FIRE EQUIPMENT  
MANUFACTURERS'  
ASSOCIATION



CASPE  
American Society of  
Plumbing Engineers

**ONFSA**  
NATIONAL FIRE SPRINKLER ASSOCIATION, INC.



**POTTER ROEMER/FIRE PRO**

Headquarters:  
P.O. Box 3527  
City of Industry, CA  
91744 U.S.A.  
Los Angeles Area  
800-366-3473  
626-855-4890

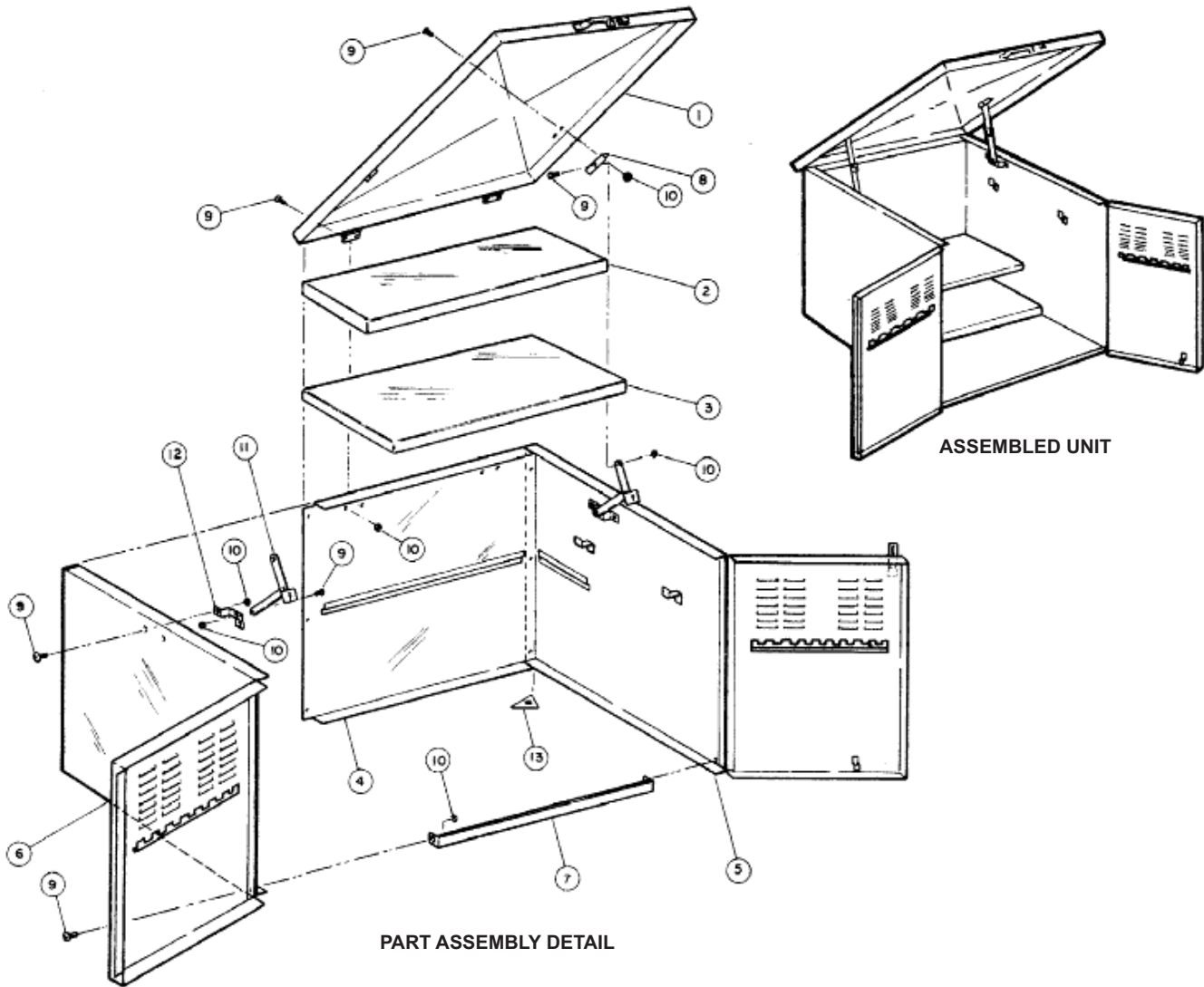
Also in:  
New York (800) 526-4592  
Chicago (800) 547-3473  
Atlanta (800) 762-0542  
Miami (866) 961-3473  
Dallas (866) 644-3473

[www.potterroemer.com](http://www.potterroemer.com)

**MODEL ASSEMBLY INSTRUCTIONS**

**PARTS LIST**

NO.	DESCRIPTION	QTY.	NO.	DESCRIPTION	QTY.
1	COVER	1	9	PAN HEAD SCREWS	24
2	UPPER SHELF	1	10	NUTS	16
3	BOTTOM SHELF	1	11	SHELF LOCKING HINGE	2
4	BACK PANEL	1	12	HINGE MOUNTING BRACKET	2
5	RIGHT SUB-ASSEMBLY	1	13	CORNER HOLD DOWN BRACKET	4
6	LEFT SUB-ASSEMBLY	1	14	4" FIRE HOSE LETTERING	1
7	THRESHOLD	1	15	DOOR TIE	2
8	HINGE MOUNTING ANGLE	2			



**PART ASSEMBLY DETAIL**

**ASSEMBLED UNIT**

Call Potter Roemer - Fire Pro for current listings and approvals. Dimensions are subject to manufacturer's tolerance and may change without notice. Potter Roemer - Fire Pro assumes no responsibility for use of void or superseded data. © Copyright Potter Roemer - Fire Pro, Member of Morris Group International™ Please visit [potterroemer.com](http://potterroemer.com) for most current specifications.

**6025 SERIES**

Date: 09/20/18

**MEMBERSHIP**



**FIRE EQUIPMENT  
MANUFACTURERS'  
ASSOCIATION**



**POTTER ROEMER/FIRE PRO**

Headquarters:  
P.O. Box 3527  
City of Industry, CA  
91744 U.S.A.  
Los Angeles Area  
800-366-3473  
626-855-4890

Also in:  
New York (800) 526-4592  
Chicago (800) 547-3473  
Atlanta (800) 762-0542  
Miami (866) 961-3473  
Dallas (866) 644-3473

[www.potterroemer.com](http://www.potterroemer.com)