

## SPECIFICATIONS

Red glossy polyester coated 14 gauge steel base, 26 gauge corrugated galvanized steel platform and 18 gauge steel cover. Cover provided with spring-loaded latch, handle, stainless steel continuous hinge and 4 inch high FIRE HOSE lettering. Three access sleeves accommodate connections into building. Roof curbing by others.

## MODEL SELECTION

6040

## PRODUCT OPTIONS

### MATERIAL:

-RF Red Fiberglass Top

## MINIMUM EQUIPMENT

**\*\*NOTE: MUST BE ORDERED SEPARATELY**

**Model No. 4119** 1/2" Double Female Valve with Extended Stem Specify Stem Length \_\_\_\_\_

**Model No. 4120** 1-1/2" Double Female Valve with Extended Stem Specify Stem Length \_\_\_\_\_

**Model No. 2901** 1-1/2" Single Jacket Lined 300 lb. Acceptance Test & 150 lb. Service Test Hose Specify Length \_\_\_\_\_

**Model No. 2934** 1-1/2" Brass Hose Couplings

**Model No. 2962** 1-1/2" Brass Fog Nozzle

**Model No. 2830** 1-1/2" Brass Double Male Adapter



## OPTIONAL EQUIPMENT

### HOSE

- Model No. 2911** Double Jacket Lined 600 lb. Acceptance Test & 300 lb. Service
- Model No. 2915** Single Jacket Lined 500 lb. Acceptance Test & 250 lb. Service Test Polyflex
- Model No. 2926** Single Jacket Lined 500 lb. Acceptance Test & 250 lb. Service Test PR Superflex
- UL Label for Above Hose

### VALVES

- Model No. 2981** Automatic Drain Device

### COUPLINGS

- Model No. 2935** with Rocker Lugs

### FOG NOZZLES

- Model No. 2960** Red Lexan Plastic
- Model No. 2972** Brass with Rubber Bumper
- Model No. 2980** Red Lexan Plastic "All-Fog"
- Model No. 2985** Brass with Rubber Bumper "All-Fog"
- Model No. 2993** Brass Fixed-Flow

Call Potter Roemer - Fire Pro for current listings and approvals. Dimensions are subject to manufacturer's tolerance and may change without notice. Potter Roemer - Fire Pro assumes no responsibility for use of void or superseded data. © Copyright Potter Roemer - Fire Pro, Member of Morris Group International™ Please visit [potterroemer.com](http://potterroemer.com) for most current specifications.

**6040 SERIES**

Date: 10/18/18

**MEMBERSHIP**



FIRE EQUIPMENT  
MANUFACTURERS'  
ASSOCIATION

**ONFSA**  
NATIONAL IRRE SPRINKLER ASSOCIATION, INC.



**CASPE**  
American Society of  
Plumbing Engineers



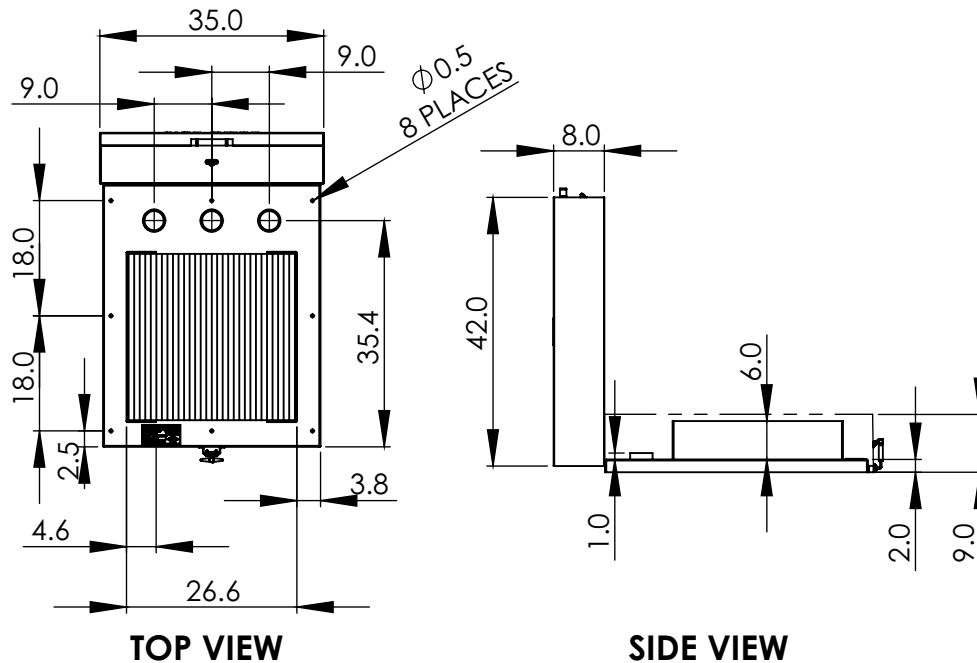
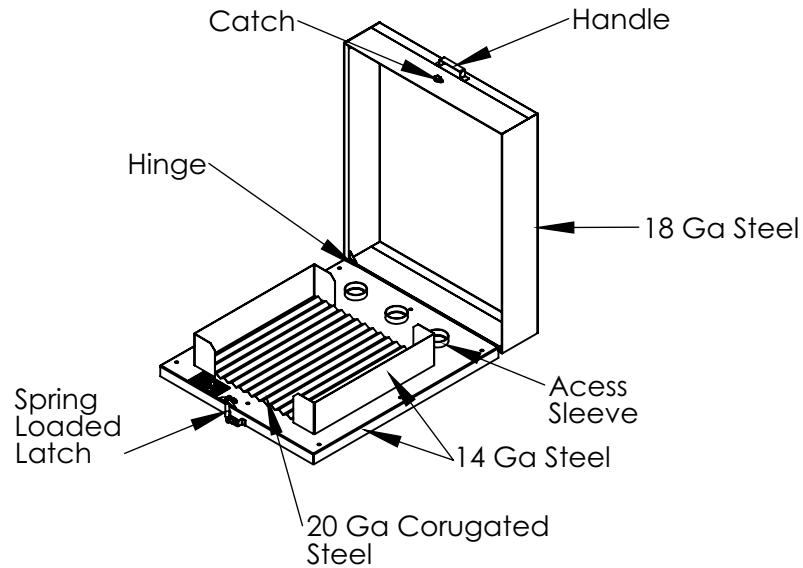
## POTTER ROEMER/FIRE PRO

Headquarters:  
P.O. Box 3527  
City of Industry, CA  
91744 U.S.A.  
Los Angeles Area  
800-366-3473  
626-855-4890

Also in:  
New York (800) 526-4592  
Chicago (800) 547-3473  
Atlanta (800) 762-0542  
Miami (866) 961-3473  
Dallas (866) 644-3473

[www.potterroemer.com](http://www.potterroemer.com)

**MODEL DIMENSIONS**



Call Potter Roemer - Fire Pro for current listings and approvals. Dimensions are subject to manufacturer's tolerance and may change without notice. Potter Roemer - Fire Pro assumes no responsibility for use of void or superceded data. © Copyright Potter Roemer - Fire Pro, Member of Morris Group International™ Please visit [potterroemer.com](http://potterroemer.com) for most current specifications.

**6040 SERIES**

Date: 10/18/18

**MEMBERSHIP**



FIRE EQUIPMENT  
MANUFACTURERS'  
ASSOCIATION



CASPE  
American Society of  
Plumbing Engineers

**ONFSA**  
NATIONAL FIRE SPRINKLER ASSOCIATION, INC.



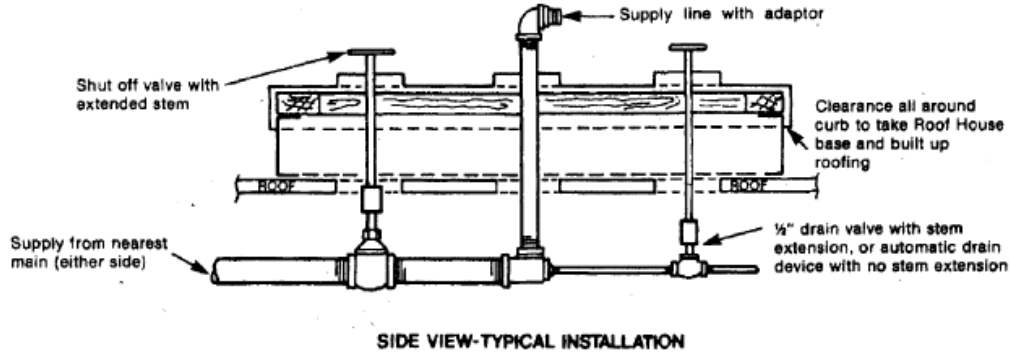
**POTTER ROEMER/FIRE PRO**

Headquarters:  
P.O. Box 3527  
City of Industry, CA  
91744 U.S.A.  
Los Angeles Area  
800-366-3473  
626-855-4890

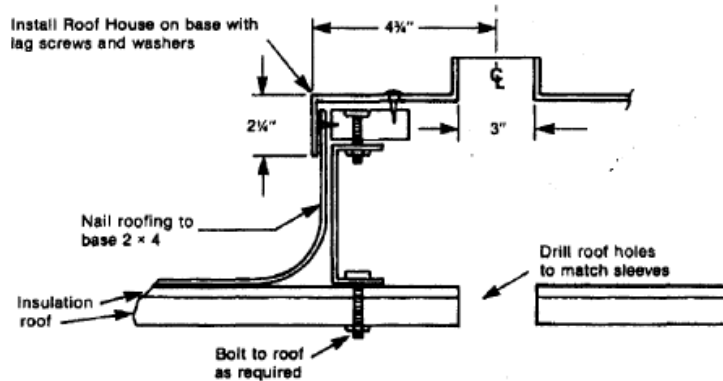
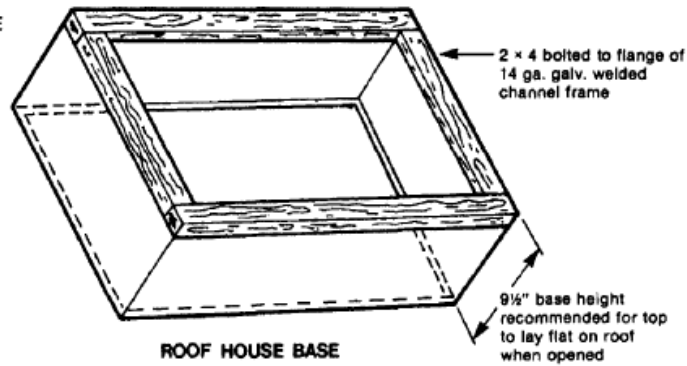
Also in:  
New York (800) 526-4592  
Chicago (800) 547-3473  
Atlanta (800) 762-0542  
Miami (866) 961-3473  
Dallas (866) 644-3473

[www.potterroemer.com](http://www.potterroemer.com)

**MODEL INSTALLATION**



ROOF HOUSE BASE TO BE FURNISHED BY INSTALLER



Call Potter Roemer - Fire Pro for current listings and approvals. Dimensions are subject to manufacturer's tolerance and may change without notice. Potter Roemer-Fire Pro assumes no responsibility for use of void or superceded data. © Copyright Potter Roemer- Fire Pro, Member of Morris Group International™ Please visit [potterroemer.com](http://potterroemer.com) for most current specifications.

**6040 SERIES**

Date: 10/18/18

**MEMBERSHIP**



FIRE EQUIPMENT  
MANUFACTURERS'  
ASSOCIATION



**POTTER ROEMER/FIRE PRO**

Headquarters:  
P.O. Box 3527  
City of Industry, CA  
91744 U.S.A.  
Los Angeles Area  
800-366-3473  
626-855-4890

Also in:  
New York (800) 526-4592  
Chicago (800) 547-3473  
Atlanta (800) 762-0542  
Miami (866) 961-3473  
Dallas (866) 644-3473

[www.potterroemer.com](http://www.potterroemer.com)