

SPECIFICATIONS

STEEL

Steel waterway with red glossy polyester finish inside and out. Adjustable lever handle control. Swivel joints with stainless steel ball bearings, positive locking controls and grease fittings for lubrication. Size of waterway, rated gallonage, and size of outlet as selected by model number. Less nozzle.

STAINLESS STEEL

All stainless steel construction with polished exterior finish. Adjustable lever handle control, swivel joints with stainless steel ball bearings, positive locking controls and grease fittings for lubrication. Size of waterway, rated gallonage, and size of outlet as selected by model number. Less nozzle.

BRASS

Brass construction with red glossy polyester finish inside and out. Adjustable lever handle control, swivel joints with stainless steel ball bearings, positive locking controls and grease fittings for lubrication. Less nozzle.



PRODUCT OPTIONS

FINISHES:

- D Polished Chrome Plated

MODEL SELECTION

- 6404
 6405
 6406
 6407
 6408
 6409
 6410

Call Potter Roemer - Fire Pro for current listings and approvals. Dimensions are subject to manufacturer's tolerance and may change without notice. Potter Roemer - Fire Pro assumes no responsibility for use of void or superseded data. © Copyright Potter Roemer - Fire Pro, Member of Morris Group International™ Please visit potterroemer.com for most current specifications.

6404-6410 SERIES Date: 09/20/18

MEMBERSHIP



FIRE EQUIPMENT
MANUFACTURERS'
ASSOCIATION

ONFSA
NATIONAL FIRE SPRINKLER ASSOCIATION, INC.



CASPE
American Society of
Plumbing Engineers



POTTER ROEMER/FIRE PRO

Headquarters:
P.O. Box 3527
City of Industry, CA
91744 U.S.A.
Los Angeles Area
800-366-3473
626-855-4890

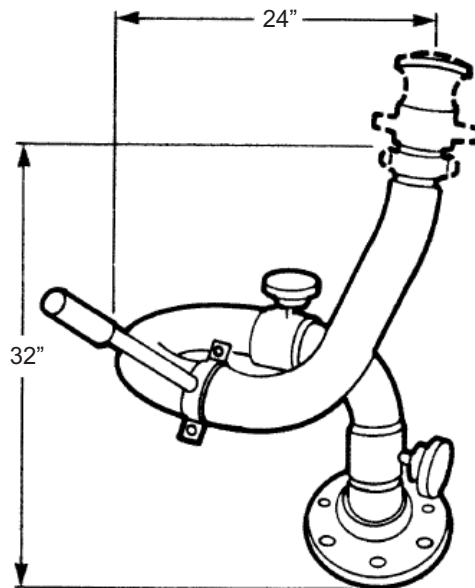
Also in:
New York (800) 526-4592
Chicago (800) 547-3473
Atlanta (800) 762-0542
Miami (866) 961-3473
Dallas (866) 644-3473

www.potterroemer.com

MODEL DIMENSIONS

Material			Rated Gallonage	Size and type of Waterway	Male Outlet
Steel Model No.	Stainless Steel Model No.	Brass Model No.			
6404	6407	6410	750 GPM	2-1/2" Seamless	2-1/2" NST
6405	6408		1200 GPM	3" Welded	2-1/2" NST
6406	6409		2000 GPM	4" Welded	3-1/2" NST

MONITOR AND BASE OPTIONS				
Waterway	G.P.M.	Model No.	Base Options	Available Bases
Single	750	6404-6407-6410	P-Q-R-S-W-X	P - 2-1/2" Male Q - 2-1/2" Female R - 3" Male S - 3" Female U - 4" Male W - 3" 125 lb. A.S.A. Flange X - 4" 125 lb. A.S.A. Flange
	1200	6405-6408	R-S-W-X	
	2000	6406-6409	U-X	



Call Potter Roemer - Fire Pro for current listings and approvals. Dimensions are subject to manufacturer's tolerance and may change without notice. Potter Roemer - Fire Pro assumes no responsibility for use of void or superceded data. © Copyright Potter Roemer - Fire Pro, Member of Morris Group International™ Please visit potterroemer.com for most current specifications.

6404-6410 SERIES Date: 09/20/18

MEMBERSHIP



FIRE EQUIPMENT
MANUFACTURERS'
ASSOCIATION



POTTER ROEMER/FIRE PRO

Headquarters:
P.O. Box 3527
City of Industry, CA
91744 U.S.A.
Los Angeles Area
800-366-3473
626-855-4890

Also in:
New York (800) 526-4592
Chicago (800) 547-3473
Atlanta (800) 762-0542
Miami (866) 961-3473
Dallas (866) 644-3473

www.potterroemer.com