

SPECIFICATIONS

LEVER OPERATED

Cast brass body with red enamel finish and polished brass trim, less nozzle. Cast iron lever with positive locking control. Grease fitting at swivel joints for lubrication, 2-1/2" NST male outlet. Rated gallonage selected by model number.

GEAR OPERATED

Cast brass body with red enamel finish and polished brass trim, less nozzle. Single wheel vertical worm and gear control. Grease fittings at swivel joints for lubrication, 2-1/2" male outlet. Rated gallonage selected by model number.

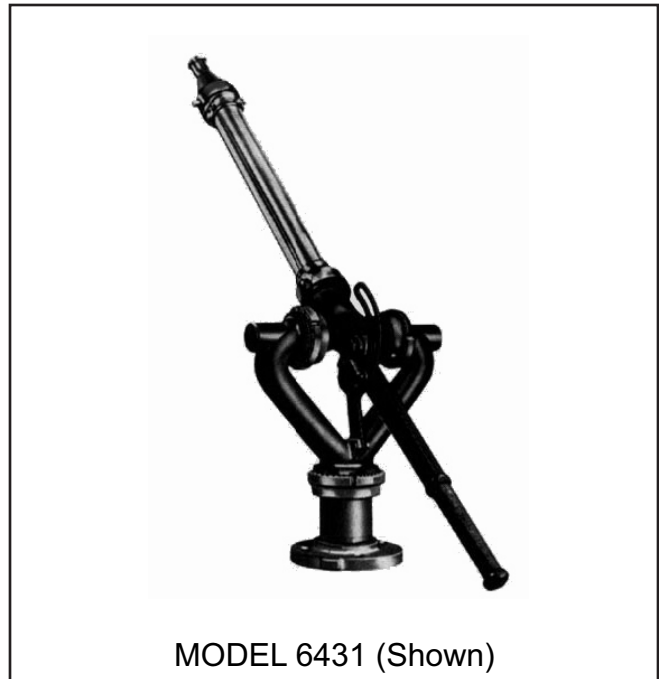
MODEL SELECTION

- 6431** Lever Operated 500 GPM
- 6432** Lever Operated 1000 GPM
- 6436** Gear Operated 500 GPM
- 6437** Gear Operated 1000GPM

PRODUCT OPTIONS

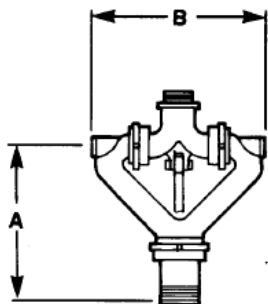
FINISHES:

- D Polished Chrome Plated Trim

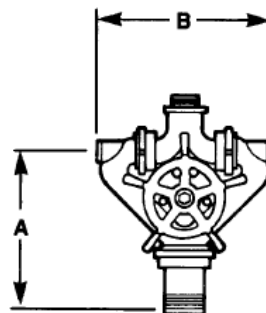
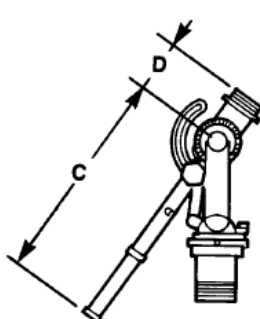


MONITOR DIMENSIONS & BASE OPTIONS

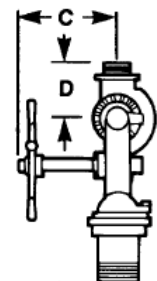
Waterway	G.P.M.	Model No.	A	B	C	D	Base Options	Available Bases
Double	500	6431	14-1/2	15	19	3-3/4	Q-R-X	Q - 2-1/2" Female
	1000	6432	19	17	25	5-1/8	T-U-X	R - 3" Male
	500	6436	14-1/2	15	8	3-3/4	Q-R-X	T - 3-1/2" Female
	1000	6437	19	17	8	5-1/8	T-U-X	U - 4" Male
								X - 4" 125 lb. A.S.A. Flange



LEVER OPERATED



GEAR OPERATED



Call Potter Roemer - Fire Pro for current listings and approvals. Dimensions are subject to manufacturer's tolerance and may change without notice. Potter Roemer - Fire Pro assumes no responsibility for use of void or superseded data. © Copyright Potter Roemer - Fire Pro, Member of Morris Group International™ Please visit potterroemer.com for most current specifications.

6431-6437 SERIES Date: 09/20/18

MEMBERSHIP



FIRE EQUIPMENT
MANUFACTURERS'
ASSOCIATION

ONFSA
NATIONAL FIRE SPRINKLER ASSOCIATION, INC.



CASPE
American Society of
Plumbing Engineers



POTTER ROEMER/FIRE PRO

Headquarters:
P.O. Box 3527
City of Industry, CA
91744 U.S.A.
Los Angeles Area
800-366-3473
626-855-4890

Also in:
New York (800) 526-4592
Chicago (800) 547-3473
Atlanta (800) 762-0542
Miami (866) 961-3473
Dallas (866) 644-3473

www.potterroemer.com