

SPECIFICATIONS

ADJUSTABLE MASTER STREAM NOZZLES

Brass - Cast brass nozzle with satin finish, twist control, and grease fitting for lubrications 2-1/2" NST base. Rated gallonage as selected by model number.

Aluminum - Lightweight aluminum alloy nozzle with hard anodized finish. Twist control, and grease fitting for lubrication. Rated gallonage as selected by model number.

NOTE: When used for aqueous film-foaming foam application, above nozzles should be used with pre-mixed afff/water mixture in correct proportions. Contact potter-roamer for additional information.

STREAM STRAIGHTENER

2-1/2" x 15" polished brass tube NST female base X NST male outlet.

STRAIGHT STREAM NOZZLE

Polished brass nozzle with 2-1/2" NST base thread. Length as selected by model number.

HYDRANT MOUNT

Cast brass waterway with 2-1/2" NST female swivel inlet and 2-1/2" NST female swivel inlet and 2-1/2" or 3" NPT male outlet. Adjustable aluminum alloy mounting brackets with red enamel finish and mounting hardware.

MODEL SELECTION

- 6441
- 6442
- 6445
- 6446
- 6447
- 6448
- 6459
- 6450
- 6456
- 6457
- 6460



PRODUCT OPTIONS

FINISHES:

- D Polished Chrome Plated Trim

VARIATIONS: (Model 6460 Only)

- 3" A.S.A. 150 lb. flange outlet
- 4" A.S.A. 150 lb. flange outlet

Call Potter Roemer - Fire Pro for current listings and approvals. Dimensions are subject to manufacturer's tolerance and may change without notice. Potter Roemer - Fire Pro assumes no responsibility for use of void or superseded data. © Copyright Potter Roemer - Fire Pro, Member of Morris Group International™ Please visit potterroemer.com for most current specifications.

6441-6460 SERIES Date: 09/20/18

MEMBERSHIP



FIRE EQUIPMENT
MANUFACTURERS'
ASSOCIATION

ONFSA
NATIONAL FIRE SPRINKLER ASSOCIATION, INC.



CASPE
American Society of
Plumbing Engineers



POTTER ROEMER/FIRE PRO

Headquarters:
P.O. Box 3527
City of Industry, CA
91744 U.S.A.
Los Angeles Area
800-366-3473
626-855-4890

Also in:
New York (800) 526-4592
Chicago (800) 547-3473
Atlanta (800) 762-0542
Miami (866) 961-3473
Dallas (866) 644-3473

www.potterroemer.com

MODEL DATA

ADJUSTABLE MASTER STREAM NOZZLE (BRASS)	
Model No.	Rated Gallonage
6441	300 GPM
6442	500 GPM



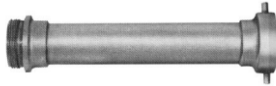
MODEL 6441-6442

ADJUSTABLE MASTER STREAM NOZZLE (ALUMINUM)		
Model No.	Rated Gallonage	Size
6445	300 GPM	2-1/2"
6446	500 GPM	2-1/2"
6447	750 GPM	2-1/2"
6448	1000 GPM	2-1/2"
6449	2000 GPM	3-1/2"



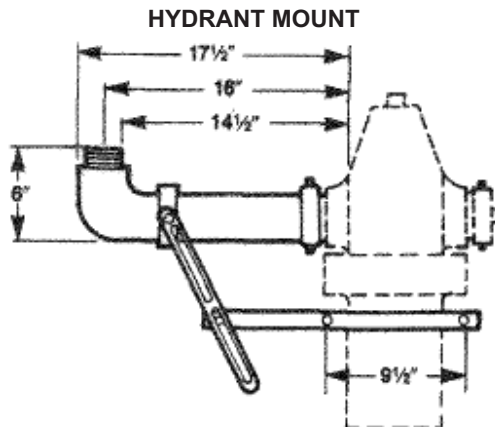
MODEL 6445-6449

STREAM STRAIGHTENER



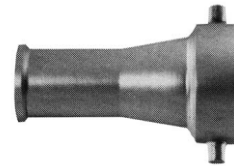
MODEL 6450

STRAIGHT STREAM NOZZLE		
Model No.	Length	TIP ORIFICE OPTION: Specify
6456	6-1/4" for 500 GPM	1" thru 1-3/4"
6457	9" for 1000 GPM	1" thru 2-1/8"



HYDRANT MOUNT

MODEL 6460



MODEL 6456-6457

Call Potter Roemer - Fire Pro for current listings and approvals. Dimensions are subject to manufacturer's tolerance and may change without notice. Potter Roemer - Fire Pro assumes no responsibility for use of void or superseded data. © Copyright Potter Roemer - Fire Pro, Member of Morris Group International™ Please visit potterroemer.com for most current specifications.

6441-6460 SERIES Date: 09/20/18

MEMBERSHIP



FIRE EQUIPMENT
MANUFACTURERS'
ASSOCIATION



POTTER ROEMER/FIRE PRO

Headquarters:
P.O. Box 3527
City of Industry, CA
91744 U.S.A.
Los Angeles Area
800-366-3473
626-855-4890

Also in:
New York (800) 526-4592
Chicago (800) 547-3473
Atlanta (800) 762-0542
Miami (866) 961-3473
Dallas (866) 644-3473

www.potterroemer.com