

**SPECIFICATIONS**

Potter Roemer/ Fire Pro® electric monitors are designed to meet all requirements of municipal and petrochemical applications. The balanced flow single waterway design and precision machining on swivel joints reduces friction loss while improving stream and distance, and ensures ease of operation at all pressure/ flow ranges.

Carbon Steel construction with 304 stainless steel swivels. Standard red polyester powder coating inside and out protect against corrosion.

Type 304 stainless steel ball bearings in joints ensure easy movement and reliable operation.



FP12300 Shown

**REGULARLY FURNISHED**

- 2-1/2" Waterway
- Seamless carbon or stainless steel construction
- Zerk fitting for lubrication
- Low friction loss
- 340° horizontal and 135° vertical travel
- 750 GPM (2839 lpm)
- Stainless steel remote joystick box
- Weight 45 Lbs (20 kg)

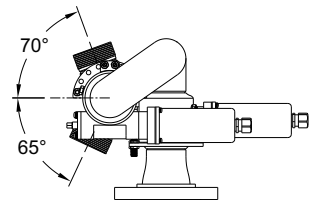
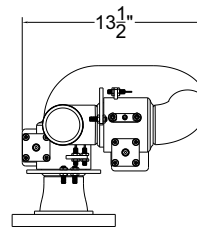
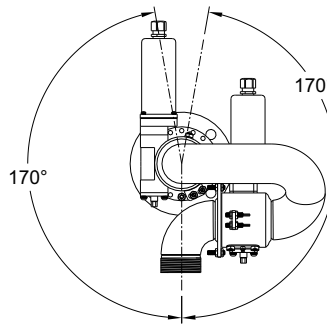
MODEL	INLET In (mm)	OUTLET In (mm)	VOLTS
FP12300-12	3" 150# RF FLANGE (76)	2-1/2" (64)	12
FP12300-24	3" 150# RF FLANGE (76)	2-1/2" (64)	24

**PRODUCT OPTIONS**

- Drainage Provisions
- Gauge and Guard
- Metric Flanges
- Shut Off Valve

**FINISHES:**

- Customer Colors \_\_\_\_\_ (Specify)



**WARNING:** Cancer and Reproductive Harm - [www.P65Warnings.ca.gov](http://www.P65Warnings.ca.gov)

<p>Call Potter Roemer - Fire Pro for current listings and approvals. Dimensions are subject to manufacture's tolerance and may change without notice. Potter Roemer - Fire Pro assumes no responsibility for use of void or superceded data. Please visit <a href="http://potterroemer.com">potterroemer.com</a> for most current specifications</p> <p><b>FP12300</b></p> <p>Revised:09/04/18</p>	<p><b>MEMBERSHIP</b></p> 	<p><b>POTTER ROEMER/FIRE PRO</b></p> <p>Headquarters: P.O. Box 3527 City of Industry, CA 91744 U.S.A. Los Angeles Area 800-366-3473 626-855-4890</p> <p>Also in: New York (800) 526-4592 Chicago (800) 547-3473 Atlanta (800) 762-0542 Miami (866) 961-3473 Dallas (866) 644-3473</p> <p><a href="http://www.potterroemer.com">www.potterroemer.com</a></p>
--	---	---