

SPECIFICATIONS

Potter Roemer/ Fire Pro® short radius monitors were designed for applications where space is minimal. The close radius single waterway configuration is ideal for minimal height and width measurements while maintaining the balanced flow design for ease of operation.

Carbon Steel construction with 304 stainless steel swivels. Standard red polyester powder coating inside and out protect against corrosion.

Type 304 stainless steel ball bearings in joints ensure easy movement and reliable operation.



REGULARLY FURNISHED

- 3" Waterway to 2-1/2" Outlet
- Seamless carbon or stainless steel construction
- Zerk fitting for lubrication
- Low friction loss
- 360° horizontal and 120° vertical travel
- 1200 GPM (4542 lpm)

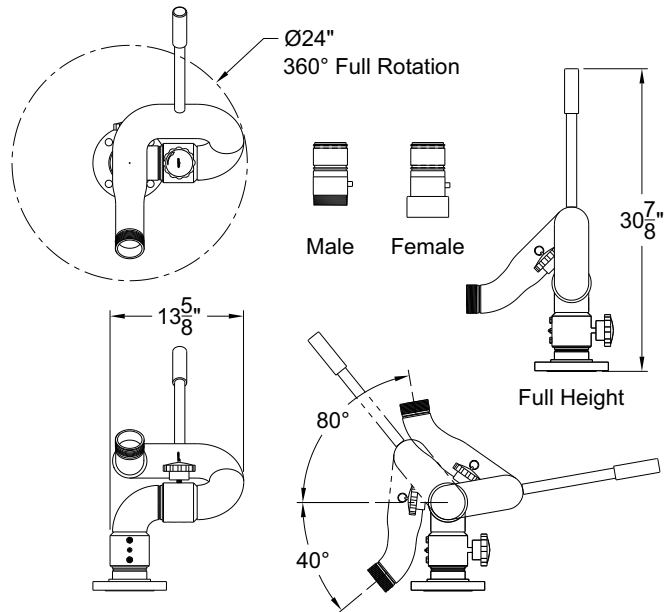
MODEL	INLET In (mm)	OUTLET In (mm)	WEIGHT Lbs (kg)
FP3SR-1200	3" FLANGE (64)	3" (76) Waterway W/ 2-1/2" (64) Male Thread	45 (20)
FP3SR(F/M)-1200	3" NPT (64)	3" (76) Waterway W/ 2-1/2" (64) Male Thread	45 (20)
FP4SR-1200	4" FLANGE (76)	3" (76) Waterway W/ 2-1/2" (64) Male Thread	45 (20)

PRODUCT OPTIONS

- Drainage Provisions
- Gauge and Guard
- Metric Flanges
- Parallel Handle
- Shut Off Valve
- Steering Wheel Handle

FINISHES:

- Customer Colors _____ (Specify)



WARNING: Cancer and Reproductive Harm - www.P65Warnings.ca.gov

<p>Call Potter Roemer - Fire Pro for current listings and approvals. Dimensions are subject to manufacture's tolerance and may change without notice. Potter Roemer - Fire Pro assumes no responsibility for use of void or superceded data. Please visit potterroemer.com for most current specifications</p> <p>FP3SR-1200 Revised:09/04/18</p>	<p>MEMBERSHIP</p>  <p>MEMBERSHIP</p>	<p>POTTER ROEMER/FIRE PRO</p> <p>Headquarters: P.O. Box 3527 City of Industry, CA 91744 U.S.A. Los Angeles Area 800-366-3473 626-855-4890</p> <p>Also in: New York (800) 526-4592 Chicago (800) 547-3473 Atlanta (800) 762-0542 Miami (866) 961-3473 Dallas (866) 644-3473</p> <p>www.potterroemer.com</p>
--	--	---