

**SPECIFICATIONS**

Potter Roemer/ Fire Pro® station monitors were specifically designed to meet all requirements of municipal and petrochemical applications. The 4" waterway is designed for application that require large volumes of water with minimal manpower or friction loss.

Carbon Steel construction with 304 stainless steel swivels. Standard red polyester powder coating inside and out protect against corrosion.

Type 304 stainless steel ball bearings in joints ensure easy movement and reliable operation.



FP4-2000 (Shown)

**REGULARLY FURNISHED**

- 4" Waterway
- Seamless carbon or stainless steel construction
- Zerk fitting for lubrication
- Low friction loss
- 360° horizontal and 90° vertical travel
- 2000 GPM (7571 lpm)

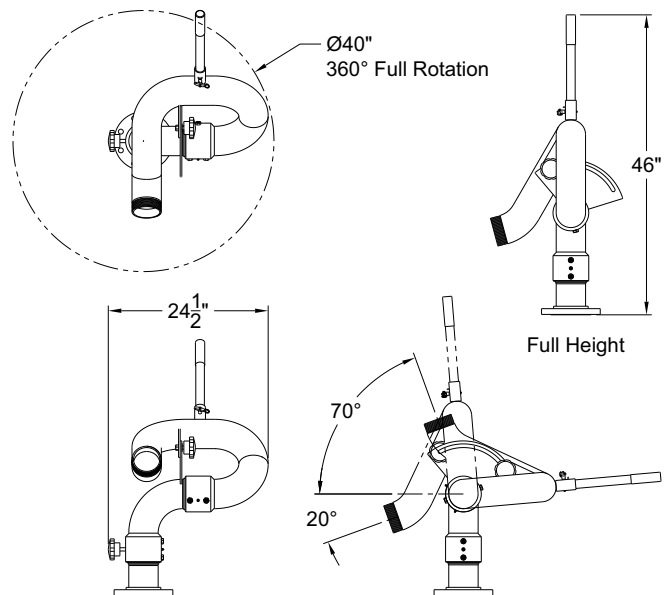
MODEL	INLET In (mm)	OUTLET In (mm)	WEIGHT Lbs (kg)
FP4-2000	4" FLANGE (102)	4" (102)	135 (62)

**PRODUCT OPTIONS**

- Drainage Provisions
- Gauge and Guard
- Metric Flanges
- Parallel Handle
- Shut Off Valve
- Steering Wheel Handle

**FINISHES:**

- Customer Colors \_\_\_\_\_ (Specify)



**⚠ WARNING: Cancer and Reproductive Harm - www.P65Warnings.ca.gov**

<p>Call Potter Roemer - Fire Pro for current listings and approvals. Dimensions are subject to manufacture's tolerance and may change without notice. Potter Roemer - Fire Pro assumes no responsibility for use of void or superceded data. Please visit <a href="http://potterroemer.com">potterroemer.com</a> for most current specifications</p> <p><b>FP4-2000</b> Revised:09/04/18</p>	<p><b>MEMBERSHIP</b></p>  <p><b>NFSA</b> NATIONAL FIRE SPRINKLER ASSOCIATION, INC.</p> <p><b>CASPE</b> American Society of Plumbing Engineers</p>	<p><b>POTTER ROEMER/FIRE PRO</b></p> <p>Headquarters: P.O. Box 3527 City of Industry, CA 91744 U.S.A. Los Angeles Area 800-366-3473 626-855-4890</p> <p>Also in: New York (800) 526-4592 Chicago (800) 547-3473 Atlanta (800) 762-0542 Miami (866) 961-3473 Dallas (866) 644-3473</p> <p><a href="http://www.potterroemer.com">www.potterroemer.com</a></p>
--	---	---