

SPECIFICATIONS

Potter Roemer/ Fire Pro® station monitors were specifically designed to meet all requirements of municipal and petrochemical applications. The 4" waterway is designed for application that require large volumes of water with minimal manpower or friction loss.

100% type 304 Stainless Steel construction. Standard red polyester powder coating inside and out protect against corrosion.

Type 304 stainless steel ball bearings in joints ensure easy movement and reliable operation.



REGULARLY FURNISHED

- 4" Waterway
- Seamless stainless steel construction
- Zerk fitting for lubrication
- Low friction loss
- 360° horizontal and 90° vertical travel
- 2000 GPM (7571 lpm)

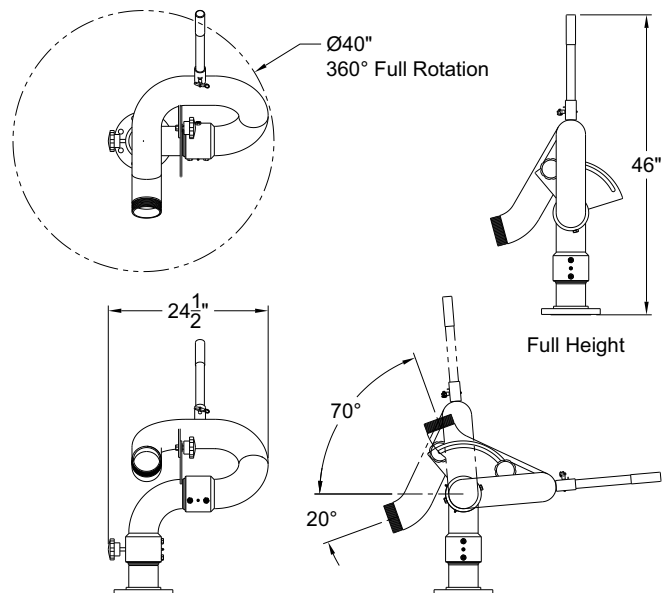
MODEL	INLET In (mm)	OUTLET In (mm)	WEIGHT Lbs (kg)
FP4S-2000	4" FLANGE (102)	4" (102)	135 (62)

PRODUCT OPTIONS

- High Polish Finish
- Drainage Provisions
- Gauge and Guard
- Metric Flanges
- Parallel Handle
- Shut Off Valve
- Steering Wheel Handle

FINISHES:

- Customer Colors _____ (Specify)



⚠ WARNING: Cancer and Reproductive Harm - www.P65Warnings.ca.gov

Call Potter Roemer - Fire Pro for current listings and approvals. Dimensions are subject to manufacture's tolerance and may change without notice. Potter Roemer - Fire Pro assumes no responsibility for use of void or superceded data. Please visit potterroemer.com for most current specifications

FP4S-2000

Revised:09/04/18

MEMBERSHIP



FIRE EQUIPMENT
MANUFACTURERS'
ASSOCIATION

ONFSA
NATIONAL FIRE SPRINKLER ASSOCIATION, INC.



CASPE
American Society of
Plumbing Engineers



POTTER ROEMER/FIRE PRO

Headquarters:
P.O. Box 3527
City of Industry, CA
91744 U.S.A.
Los Angeles Area
800-366-3473
626-855-4890

Also in:
New York (800) 526-4592
Chicago (800) 547-3473
Atlanta (800) 762-0542
Miami (866) 961-3473
Dallas (866) 644-3473

www.potterroemer.com