

SPECIFICATIONS

Classified by Underwriters Laboratories Inc. for use in the through penetration fire stop systems. The applicable rating information is listed at two (2) hours for flame, temperature, and/or hose stream. A 20 gage box with knockout provision in inner box: (penetration of fire protection box, to accommodate piping and the restoration of fire stop around penetration shall be completed by installing contractor). A 20 gage tubular steel door with 18 gage frame and a continuous steel hinge. All components are powder-coated with an electrostatically applied thermally fused recoatable white polyester finish. All glass door styles provided with clear tempered safety glass. Wall mounting and size of cabinet as selected by model number.

REGULARLY FURNISHED

BUBBLE-TYPE FIRE HOSE - For use with 1-1/2" Fire Hose Rack Assembly and/or Portable Fire Extinguisher.

*FIRE RATED
*UL classified 7N43

MODEL SELECTION

- FRC1602 Recessed
- FRC1604 Recessed
- FRC1606 Recessed
- FRC1612 Trimless
- FRC1614 Trimless
- FRC1616 Trimless



PRODUCT OPTIONS

DOOR AND FRAME MATERIAL:

- AL ALUMINUM: Clear Anodized Finish
- SS STAINLESS STEEL: 304 w/ #4 Finish
- PB BRASS: Polished Finish
- BZ BRONZE: Call for Options

FINISHES:

- ALUMINUM: Duranodic Finish
 - Light Medium Dark
- STAINLESS STEEL: Finish as Specified
 - 304 w/ #6 Dull Satin 304 w/ #8 Mirror
- RED: Powder Coat
- CUSTOMER COLORS _____ (Specify)

CABINET MODIFICATIONS:

- DANA TYPE: Frameless Concealed Hinge and Handle Construction (recessed cabinet only)
- HF Horizontal Fold Cabinet

DOOR STYLES:

- BA Full Bubble with Glass
- BB Break Bubble with Glass
- BF Full Bubble with Flush Solid Metal
 - B Bronze -S Smoke Grey

**NOTE: ALL GLASS DOOR STYLES PROVIDED WITH CLEAR TEMPERED SAFETY GLASS IN COMPLIANCE WITH ANSI Z97-1-1984

Call Potter Roemer - Fire Pro for current listings and approvals. Dimensions are subject to manufacturer's tolerance and may change without notice. Potter Roemer - Fire Pro assumes no responsibility for use of void or superseded data. © Copyright Potter Roemer - Fire Pro, Member of Morris Group International™ Please visit potterroemer.com for most current specifications.

FRC1600 SERIES Date: 03/27/14

MEMBERSHIP



FIRE EQUIPMENT
MANUFACTURERS'
ASSOCIATION

ONFSA
NATIONAL IRRIE SPRINKLER ASSOCIATION, INC.



CASPE
American Society of
Plumbing Engineers



POTTER ROEMER/FIRE PRO

Headquarters:
P.O. Box 3527
City of Industry, CA
91744 U.S.A.
Los Angeles Area
800-366-3473
626-855-4890

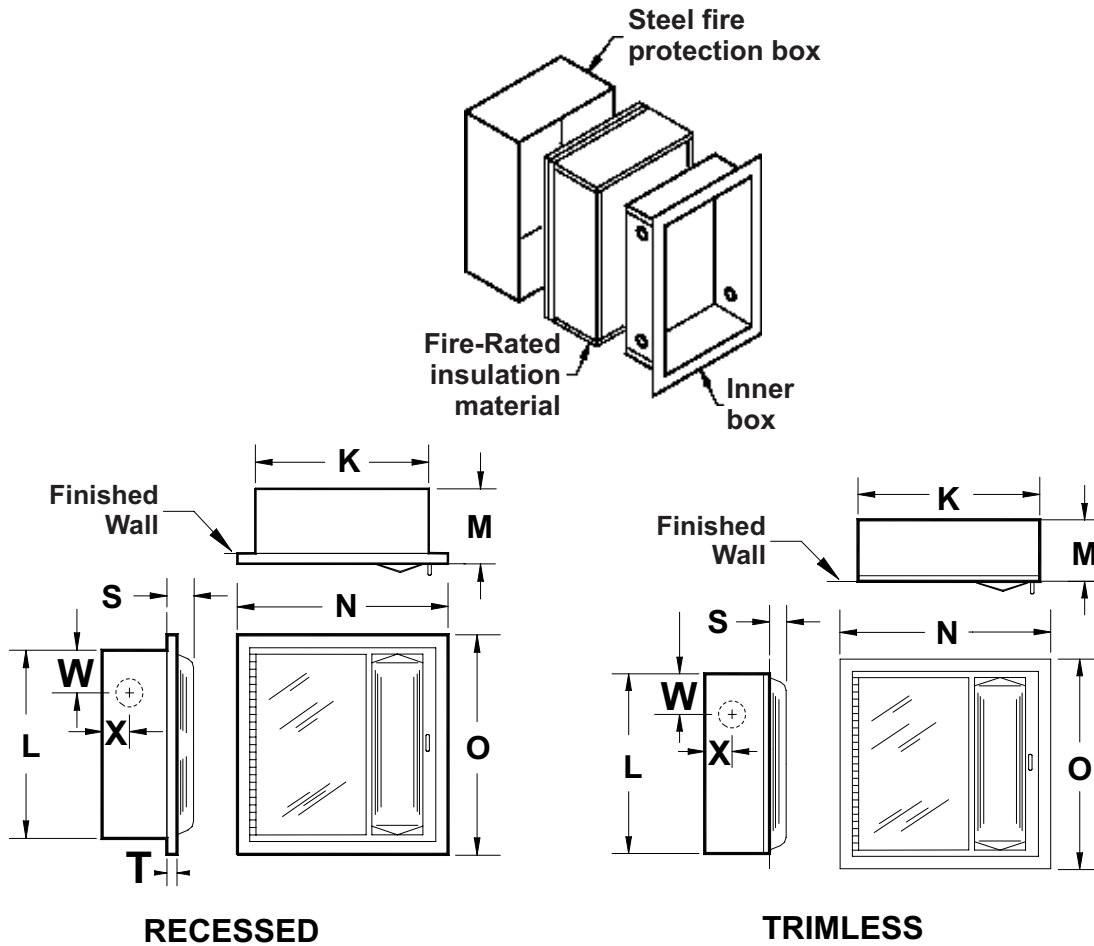
Also in:
New York (800) 526-4592
Chicago (800) 547-3473
Atlanta (800) 762-0542
Miami (866) 961-3473
Dallas (866) 644-3473

www.potterroemer.com

MODEL DIMENSIONS

Model No.	Wall Mounting	Max. Capacity		Inside Box Dimensions			Overall Frame		Wall Opening Required			P R O J E C T I O N S	Trim		Inlet Location	
		Poly flex ft.	Super flex ft.	K	L	M	N	O	W I D T H	H E I G H T	D E P T H		T	W	X	
FRC1602	Recessed	75	50	30	30	4-1/4	33-3/4	39-3/4	32-1/4	32	5-3/8	3	5/8	4	2-1/2	
FRC1604	Recessed	100	75	30	36	4-1/4	33-3/4	39-3/4	32-1/4	38	5-3/8	3	5/8	4	2-1/2	
FRC1606	Recessed	100	100	30	40	4-1/4	33-3/4	43-3/4	32-1/4	42	5-3/8	3	5/8	4	2-1/2	
FRC1612	Trimless	75	50	30	30	4-1/4	33	33	32-1/4	32	6-3/4	3	-	4	2-1/2	
FRC1614	Trimless	100	75	30	36	4-1/4	33	39	32-1/4	38	6-3/4	3	-	4	2-1/2	
FRC1616	Trimless	100	100	30	40	4-1/4	33	43	32-1/4	42	6-3/4	3	-	4	2-1/2	

ALL DIMENSIONS ARE IN INCHES UNLESS OTHERWISE NOTED



RECESSED

TRIMLESS

Call Potter Roemer - Fire Pro for current listings and approvals. Dimensions are subject to manufacturer's tolerance and may change without notice. Potter Roemer - Fire Pro assumes no responsibility for use of void or superseded data. © Copyright Potter Roemer - Fire Pro, Member of Morris Group International™ Please visit potterroemer.com for most current specifications.

FRC1600 SERIES

Date: 03/27/14

MEMBERSHIP



FIRE EQUIPMENT
MANUFACTURERS'
ASSOCIATION

ONFSA
NATIONAL IRRE SPINELLER ASSOCIATION, INC.



CASPE
American Society of
Plumbing Engineers



POTTER ROEMER/FIRE PRO

Headquarters:
P.O. Box 3527
City of Industry, CA
91744 U.S.A.
Los Angeles Area
800-366-3473
626-855-4890

Also in:
New York (800) 526-4592
Chicago (800) 547-3473
Atlanta (800) 762-0542
Miami (866) 961-3473
Dallas (866) 644-3473

www.potterroemer.com