

## SPECIFICATIONS

CLASSIFIED BY UNDERWRITERS LABORATORIES INC. for use in the through penetration fire stop systems. The applicable rating information is listed at 2 hours for flame, temperature, and/or hose stream. A 22 ga. fire protection box, fire-rated insulation material, with 20 ga. inner box; 20 ga. tubular steel door with 18 ga. frame and a continuous steel hinge. All components are powder-coated with an electrostatically-applies, thermally-fused, recoatable white polyester finish. All glass door styles provided with clear tempered safety glass. Wall mounting and size of cabinet as selected by model number.

## REGULARLY FURNISHED

FIRE EXTINGUISHER CABINET - For use with Portable Fire Extinguisher

\*FIRE RATED

\*UL Classified 7N43

## MODEL SELECTION

- FRC1702 Recessed
- FRC1704 Recessed
- FRC1706 Recessed
- FRC1718 Recessed
- FRC1712 Trimless
- FRC1714 Trimless
- FRC1716 Trimless
- FRC1718 Trimless
- FRC1724 Semi-Recessed
- FRC1734 Semi-Recessed
- FRC1736 Semi-Recessed
- FRC1738 Semi-Recessed
- FRC1746 Semi-Recessed
- FRC1748 Semi-Recessed

## PRODUCT OPTIONS

### DOOR AND FRAME MATERIAL:

- AL ALUMINUM: Clear Anodized Finish
- SS STAINLESS STEEL: 304 w/ #4 Finish
- PB BRASS: Polished Finish
- BZ BRONZE: Call for Options

### FINISHES:

- ALUMINUM: Duranodic Finish
  - Light  Medium  Dark
- STAINLESS STEEL: Finish as Specified
  - 304 w/ #6 Dull Satin  304 w/ #8 Mirror



## PRODUCT OPTIONS (cont.)

- RED: Powder Coat
- CUSTOMER COLORS \_\_\_\_\_ (Specify)

### CABINET MODIFICATIONS:

- DANA TYPE: Frameless Concealed Hinge and Handle Construction (recessed cabinet only)

### DOOR STYLES:

- A Full Glass, w/ Tempered Safety Glass
- B Break-Glass, w/ Lock & Break Rite® Handle
- D Duo-Panel w/ Tempered Safety Glass
- DV Duo-Vertical Panel w/ Tempered Safety Glass
- DVL Duo-Vertical Panel w/ Lock, TSG & Break Rite® Handle
- E Tempered Safety Glass (25 sq. in.) w/ Break Rite® Handle
- F Flush Solid Metal
- FS Flush Solid Metal w/ lock
- J Insert Panel
- (Specify) Optional inserts for glass-style doors

\*\*NOTE: DOOR STYLES -A, -D, -DV, -F, & -J PROVIDED w/ LEVER HANDLE/CAM LATCH

\*\*NOTE: ALL GLASS DOOR STYLES PROVIDED WITH CLEAR TEMPERED SAFETY GLASS IN COMPLIANCE WITH ANSI Z97-1-1984

Call Potter Roemer - Fire Pro for current listings and approvals. Dimensions are subject to manufacturer's tolerance and may change without notice. Potter Roemer - Fire Pro assumes no responsibility for use of void or superseded data. © Copyright Potter Roemer - Fire Pro, Member of Morris Group International™ Please visit [potterroemer.com](http://potterroemer.com) for most current specifications.

**FRC1700 SERIES**

Date: 10/16/20

**MEMBERSHIP**



FIRE EQUIPMENT  
MANUFACTURERS'  
ASSOCIATION

**ONFSA**  
NATIONAL IRRE SPRINKLER ASSOCIATION, INC.



**CASPE**  
American Society of  
Plumbing Engineers



**POTTER ROEMER/FIRE PRO**

Headquarters:  
P.O. Box 3527  
City of Industry, CA  
91744 U.S.A.  
Los Angeles Area  
800-366-3473  
626-855-4890

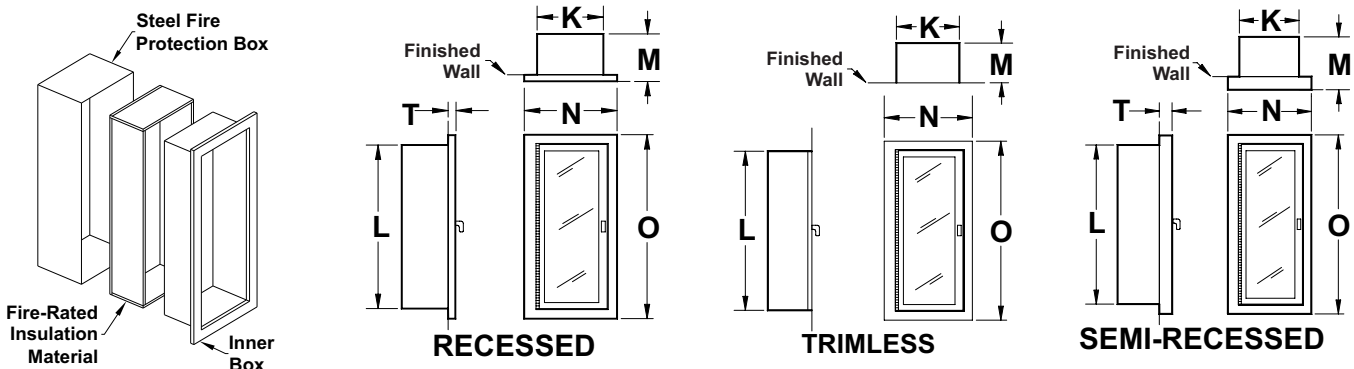
Also in:  
New York (800) 526-4592  
Chicago (800) 547-3473  
Atlanta (800) 762-0542  
Miami (866) 961-3473  
Dallas (866) 644-3473

[www.potterroemer.com](http://www.potterroemer.com)

**MODEL DIMENSIONS**

Model No.	Wall Mounting	Inside Box Dimensions			Overall Frame		Wall Opening Required			Trim	For Use With These Extinguishers  Model No.
		K	L	M	N	O	W I D T H	H E I G H T	D E P T H		
FRC1702	Recessed	9	24	5	11-3/4	26-3/4	11-1/4	26	5-5/8	1/2	3002, 3005, 3005-3, 3101, 3302, 3305, 3305-3
FRC1704	Recessed	9	24	5-3/4	11-3/4	26-3/4	11-1/4	26	6-3/8	1/2	3006, 3010, 3306, 3102, 3310, 3405
FRC1706	Recessed	12	27	8	14-3/4	29-3/4	14-1/4	29	8-5/8	1/2	3020, 3202, 3103, 3320, 3410
FRC1708	Recessed	12	36	8	15-3/4	39-3/4	14-1/4	38	8-5/8	1/2	3020, 3202, 3320, 3410, 3415
FRC1712	Trimless	9	24	5	11-3/4	26-3/4	11-1/4	26	6-7/8	-	3002, 3005, 3005-3, 3101, 3302, 3305, 3305-3
FRC1714	Trimless	9	24	5-3/4	11-3/4	26-3/4	11-1/4	26	7-5/8	-	3006, 3010, 3102, 3306, 3310, 3405
FRC1716	Trimless	12	27	8	14-3/4	29-3/4	14-1/4	29	9-7/8	-	3020, 3103, 3202, 3320, 3410
FRC1718	Trimless	12	36	8-3/4	15	39	14-1/4	38	9-7/8	-	3020, 3202, 3320, 3410, 3415
FRC1724	Semi-Recessed	9	24	5-3/4	11-3/4	26-3/4	11-1/4	26	4-7/8	2	3006, 3010, 3102, 3306, 3310, 3405
FRC1734	Semi-Recessed	9	24	5-3/4	11-3/4	26-3/4	11-1/4	26	3-7/8	3	3006, 3010, 3102, 3306, 3310, 3405
FRC1736	Semi-Recessed	12	27	8	14-3/4	29-3/4	14-1/4	29	7-1/8	3	3020, 3103, 3202, 3320, 3410
FRC1738	Semi-Recessed	12	36	8	15-3/4	39-3/4	14-1/4	38	6-3/8	2-3/4	3020, 3202, 3320, 3410, 3415
FRC1746	Semi-Recessed	12	27	8	14-3/4	29-3/4	14-1/4	29	4-1/8	5	3020, 3202, 3320, 3410
FRC1748	Semi-Recessed	12	27	8	15-3/4	39-3/4	14-1/4	29	4-3/8	4-3/4	3020, 3202, 3320, 3410, 3415

ALL DIMENSIONS ARE IN INCHES UNLESS OTHERWISE NOTED



Call Potter Roemer - Fire Pro for current listings and approvals. Dimensions are subject to manufacturer's tolerance and may change without notice. Potter Roemer - Fire Pro assumes no responsibility for use of void or superseded data. © Copyright Potter Roemer - Fire Pro, Member of Morris Group International™ Please visit [potterroemer.com](http://potterroemer.com) for most current specifications.

**FRC1700 SERIES**

**MEMBERSHIP**



FIRE EQUIPMENT  
MANUFACTURERS'  
ASSOCIATION

**ONFSA**  
NATIONAL FIRE SPRINKLER ASSOCIATION, INC.



**CASPE**  
American Society of  
Plumbing Engineers



**POTTER ROEMER/FIRE PRO**

Headquarters:  
P.O. Box 3527  
City of Industry, CA  
91744 U.S.A.  
Los Angeles Area  
800-366-3473  
626-855-4890

Also in:  
New York (800) 526-4592  
Chicago (800) 547-3473  
Atlanta (800) 762-0542  
Miami (866) 961-3473  
Dallas (866) 644-3473

[www.potterroemer.com](http://www.potterroemer.com)