

SPECIFICATIONS

U.L. Classified Fire Rated Cabinet 2 HR. Rating. R15411/7N43. Galvannealed Steel 22ga. box; 20ga. tubular steel door with 20ga. frame and a continuous steel hinge. All components are powder-coated with an electrostatically-applied, thermally-fused, recoatable white polyester finish. All glass door styles provided with clear tempered safety glass. Wall mounting and size of cabinet as selected by model number.

REGULARLY FURNISHED

FRC1870 Series - For use with 2-1/2" Fire Department Valve and Portable Fire Extinguisher*

FRC1870-10 Series - For use with 2-1/2" Fire Department Valve and Portable Fire Extinguisher*

*Note: 20 lb. dry chem max. size.

FRC1880 Series - For 1-1/2" and/or 2-1/2" Fire Department Valve and Portable Fire Extinguisher**

FRC1880-10 Series - For 1-1/2" and/or 2-1/2" Fire Department Valve and Portable Fire Extinguisher**

**Note: 10 lb. dry chem max. size.

MODEL SELECTION

- | | |
|---|---|
| <input type="checkbox"/> FRC1870 Recessed | <input type="checkbox"/> FRC1880 Recessed |
| <input type="checkbox"/> FRC1870-10 Recessed | <input type="checkbox"/> FRC1880-10 Recessed |
| <input type="checkbox"/> FRC1871 Trimless | <input type="checkbox"/> FRC1881 Trimless |
| <input type="checkbox"/> FRC1871-10 Trimless | <input type="checkbox"/> FRC1881-10 Trimless |
| <input type="checkbox"/> FRC1872 Semi-Recessed | <input type="checkbox"/> FRC1882 Semi-Rec. |
| <input type="checkbox"/> FRC1872-10 Semi-Recessed | <input type="checkbox"/> FRC1882-10 Semi-Rec. |

PRODUCT OPTIONS

DOOR AND FRAME MATERIAL:

- | | |
|------------------------------|-----------------------------------|
| <input type="checkbox"/> -AL | ALUMINUM: Clear Anodized Finish |
| <input type="checkbox"/> -SS | STAINLESS STEEL: 304 w/ #4 Finish |
| <input type="checkbox"/> -PB | BRASS: Polished Finish |
| <input type="checkbox"/> -BZ | BRONZE: Call for Options |

OPTIONAL FINISHES TO DOOR AND FRAME ABOVE:

- | | | | |
|--|---|---------------------------------|-------------------------------|
| <input type="checkbox"/> -ALUMINUM: Duranodic Finish | <input type="checkbox"/> Light | <input type="checkbox"/> Medium | <input type="checkbox"/> Dark |
| <input type="checkbox"/> -STAINLESS STEEL: Finish as Specified | | | |
| <input type="checkbox"/> 304 w/ #6 Dull Satin | <input type="checkbox"/> 304 w/ #8 Mirror | | |
| <input type="checkbox"/> -RED: Powder Coat | | | |
| <input type="checkbox"/> -CUSTOMER COLORS _____ | (Specify) | | |



PRODUCT OPTIONS (cont.)

CABINET MODIFICATIONS:

- 12 12" Deep Box

DOOR STYLES:

- | | |
|-------------------------------|--|
| <input type="checkbox"/> -A | Full Glass, w/ Tempered Safety Glass |
| <input type="checkbox"/> -B | Break-Glass, w/ Lock & Break Rite® Handle |
| <input type="checkbox"/> -D | Duo-Panel w/ Tempered Safety Glass |
| <input type="checkbox"/> -DV | Duo-Vertical Panel w/ Tempered Safety Glass |
| <input type="checkbox"/> -DVL | Duo-Vertical Panel w/ Lock, TSG & Break Rite® Handle |
| <input type="checkbox"/> -E | Tempered Safety Glass (25 sq. in.) w/ Break Rite® Handle |
| <input type="checkbox"/> -F | Flush Solid Metal |
| <input type="checkbox"/> -FS | Flush Solid Metal w/ lock |
| <input type="checkbox"/> -J | Insert Panel |
| <input type="checkbox"/> | (Specify) Optional inserts for glass-style doors |

**NOTE: DOOR STYLES -A, -D, -DV, -F, & -J PROVIDED w/ LEVER HANDLE/CAM LATCH

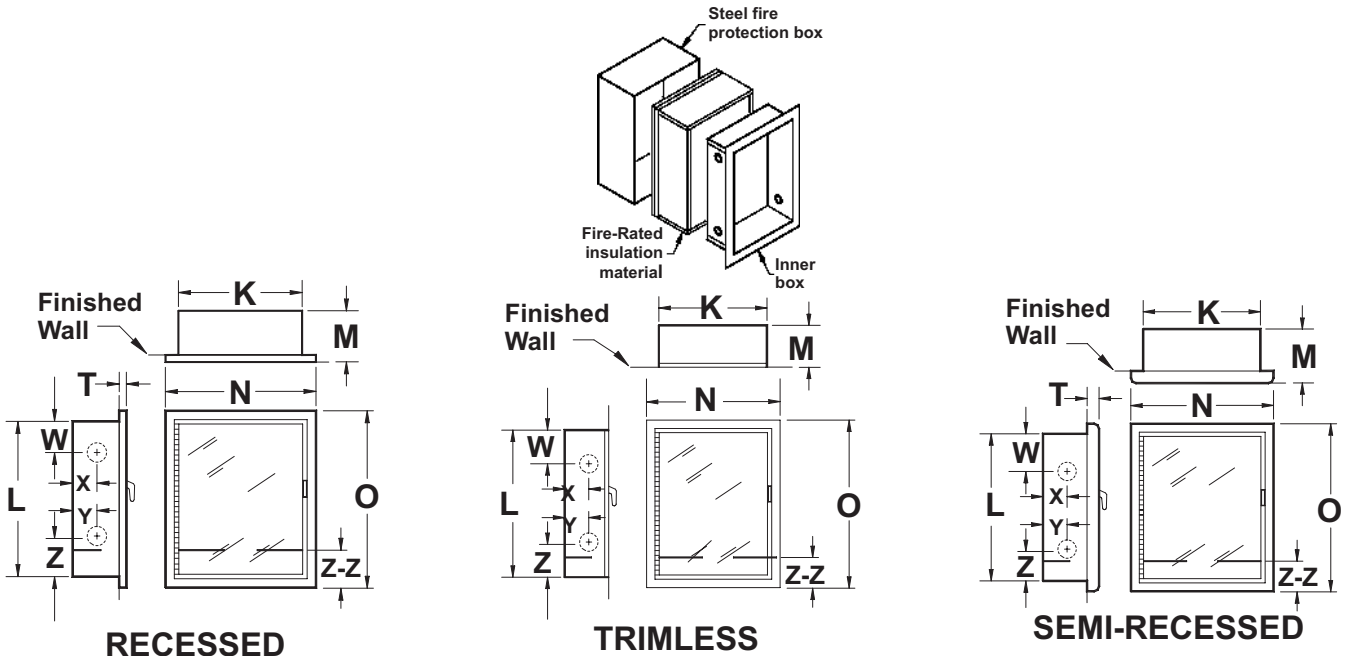
**NOTE: ALL GLASS DOOR STYLES PROVIDED WITH CLEAR TEMPERED SAFETY GLASS IN COMPLIANCE WITH ANSI Z97-1-1984

<p>Call Potter Roemer - Fire Pro for current listings and approvals. Dimensions are subject to manufacturer's tolerance and may change without notice. Potter Roemer-Fire Pro assumes no responsibility for use of void or superseded data. © Copyright Potter Roemer- Fire Pro, Member of Morris Group International™ Please visit potterroemer.com for most current specifications.</p> <p>FRC1870 SERIES Date: 02/21/20</p>	<p>MEMBERSHIP</p> 	<p>POTTER ROEMER/FIRE PRO</p> <p>Headquarters: P.O. Box 3527 City of Industry, CA 91744 U.S.A. Los Angeles Area 800-366-3473 626-855-4890</p> <p>Also in: New York (800) 526-4592 Chicago (800) 547-3473 Atlanta (800) 762-0542 Miami (833) 744-3473 Dallas (866) 644-3473</p> <p>www.potterroemer.com</p>
--	---	---

MODEL DIMENSIONS

Model No.	Wall Mounting	Inside Box Dimensions			Overall Frame		Wall Opening Required			Trim	Inlet Location				Shelf
		K	L	M	N	O	W I D T H	H E I G H T	D E P T H		T	W	X	Y	
FRC1870	Recessed	14	40	8	17-3/4	43-3/4	16-1/4	42	9-1/8	5/8	-	-	4	4	12
FRC1871	Trimless	14	40	8	17	43	16-1/4	42	10	-	-	-	4	4	12
FRC1872	Semi-Recessed	14	40	8	17-1/2	43-1/2	16-1/4	42	7-1/4	2	-	-	4	4	12
FRC1870-10	Recessed	14	40	10	17-3/4	43-3/4	16-1/4	42	11-1/8	5/8	-	-	4	4	12
FRC1871-10	Trimless	14	40	10	17	43	16-1/4	42	12	-	-	-	4	4	12
FRC1872-10	Semi-Recessed	14	40	10	17-1/2	43-1/2	16-1/4	42	9-1/4	2	-	-	4	4	12
FRC1880	Recessed	18	24	8	21-3/4	27-3/4	20-1/4	26	9-1/8	5/8	4	4	4	4	-
FRC1881	Trimless	18	24	8	21	27	20-1/4	26	10	-	4	4	4	4	-
FRC1882	Semi-Recessed	18	24	8	21-1/2	27-1/2	20-1/4	26	7-1/4	2	4	4	4	4	-
FRC1880-10	Recessed	18	24	10	21-3/4	27-3/4	20-1/4	26	11-1/8	5/8	4	4	4	4	-
FRC1881-10	Trimless	18	24	10	21	27	20-1/4	26	12	-	4	4	4	4	-
FRC1882-10	Semi-Recessed	18	24	10	21-1/2	27-1/2	20-1/4	26	9-1/4	2	4	4	4	4	-

ALL DIMENSIONS ARE IN INCHES UNLESS OTHERWISE NOTED



Call Potter Roemer - Fire Pro for current listings and approvals. Dimensions are subject to manufacturer's tolerance and may change without notice. Potter Roemer - Fire Pro assumes no responsibility for use of void or superseded data. © Copyright Potter Roemer - Fire Pro, Member of Morris Group International™ Please visit potterroemer.com for most current specifications.

FRC1870 SERIES

MEMBERSHIP



FIRE EQUIPMENT MANUFACTURERS' ASSOCIATION

NFSA
NATIONAL FIRE SPRINKLER ASSOCIATION, INC.

NFPA
NATIONAL FIRE PROTECTION ASSOCIATION

CASPE
AMERICAN SOCIETY OF PLUMBING ENGINEERS

U.S. GREEN BUILDING COUNCIL
MEMBER

POTTER ROEMER/FIRE PRO

Headquarters:
P.O. Box 3527
City of Industry, CA
91744 U.S.A.
Los Angeles Area
800-366-3473
626-855-4890

Also in:
New York (800) 526-4592
Chicago (800) 547-3473
Atlanta (800) 762-0542
Miami (833) 744-3473
Dallas (866) 644-3473

www.potterroemer.com