

## SPECIFICATIONS

### BOX

Galvanneal steel with an electrostatically applied, thermally-fused polyester coating with recoatable white finish, and a concealed hinge.

### DOOR

Model FRC7210-FRC7225: **Steel** - Galvanneal steel with recoatable white polyester finish

Model FRC7230-FRC7245: **Aluminum** - Clear anodized finish

Model FRC7250-FRC7265: **Stainless Steel** - #304 Stainless steel with #4 finish

Model FRC7270-FRC7285: **Brass** - Polished finish, clear polyester coated

## MODEL SELECTION

### STEEL

FRC7210 Recessed

FRC7220 Recessed

FRC7225 Recessed

### ALUMINUM

FRC7230 Recessed

FRC7240 Recessed

FRC7245 Recessed

### STAINLESS STEEL

FRC7250 Recessed

FRC7260 Recessed

FRC7265 Recessed

### BRASS

FRC7270 Recessed

FRC7280 Recessed

FRC7285 Recessed

## PRODUCT OPTIONS

### DOOR STYLES:

- DV Duo-Vertical Panel w/ Tempered Safety Glass
- DVL Duo-Vertical Panel w/ Lock, TSG & Break Rite® Handle.
- F Solid Flush Metal
- FS Solid Flush Metal w/ Lock

\*\*NOTE: ALL GLASS DOOR STYLES PROVIDED WITH CLEAR TEMPERED SAFETY GLASS IN COMPLIANCE WITH ANSI Z97-1-1984

### GLAZING MATERIAL:

- 1 TS Bronze Tempered Safety Glass
- 2 TS Smoke Tempered Safety Glass
- 4 TS Obscure Tempered Safety Glass
- 5 1/4" Safety Wire Glass
- 6 1/8" Clear Acrylic
- 7 1/8" Bronze Acrylic
- 8 1/8" White Acrylic
- 9 1/8" Smoke Acrylic
- 10 1/8" Red Acrylic



MODEL FRC7260 (Shown)

## PRODUCT OPTIONS (cont.)

### OPTIONAL DOOR FINISHES:


- STEEL:
  - CUSTOM: Any polyester paint color. Provide Manufacturer and color code.
- ALUMINUM
  - Light Duranodic
  - Medium Duranodic
  - Dark Duranodic
- STAINLESS STEEL: Number 304 Stainless, with #8 mirror finish
- BRONZE: U.S. # 10 Satin finish with clear coating, or dark oxidized, oil rubbed; specify
- RED: Red Polyester Finish

### FIRE EXTINGUISHER LETTERING:

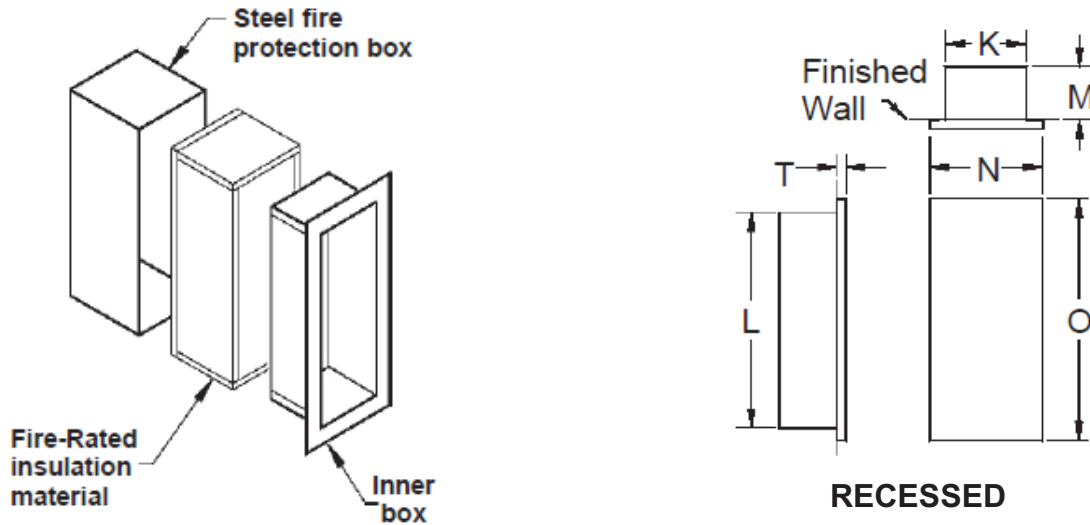
- HW Horizontal White
- HB Horizontal Black
- HR Horizontal Red
- VW Vertical White
- VB Vertical Black
- VR Vertical Red
- VAW Vertical Ascending White
- VAB Vertical Ascending Black

|              |              |  |
|--------------|--------------|--|
| Project:     | Model #:     | <b>POTTER ROEMER/FIRE PRO</b><br>Headquarters: P.O. Box 3527<br>City of Industry, CA 91744 U.S.A.<br>Los Angeles Area 800-366-3473<br>626-855-4890<br>Also in:<br>New York (800) 526-4592<br>Chicago (800) 547-3473<br>Atlanta (800) 762-0542<br>Miami (833) 744-3473<br>Dallas (866) 644-3473<br><a href="http://www.potterroemer.com">www.potterroemer.com</a> |
| Contractor:  | Quantity:    |  |
| Distributor: | Approved by: |  |
| Architect:   | Date:        |  |

**MODEL DIMENSIONS**

| Model No. |          |                 |         | Wall Mounting | Inside Box Dimensions |    |       | Overall Door |        | Wall Opening Required |             |           | Trim | For Use With These Extinguishers                                     | ADA  |
|-----------|----------|-----------------|---------|---------------|-----------------------|----|-------|--------------|--------|-----------------------|-------------|-----------|------|--|---|
| Steel     | Aluminum | Stainless Steel | Brass   |               | K                     | L  | M     | N            | O      | W I D T H             | H E I G H T | D E P T H |      |  |   |
| FRC7210   | FRC7230  | FRC7250         | FRC7270 | Recessed      | 9                     | 18 | 5-3/4 | 11-3/4       | 20-3/4 | 10-13/16              | 19-3/4      | 6-5/8     | 5/8  | 3002, 3005, 3005-3, 3302, 3305, 3305-3                               | Yes   |
| FRC7220   | FRC7240  | FRC7260         | FRC7280 | Recessed      | 9                     | 24 | 5-3/4 | 11-3/4       | 26-3/4 | 10-13/16              | 25-3/4      | 6-5/8     | 5/8  | 3002, 3005, 3005-3, 3006, 3010, 3302, 3305, 3305-3, 3306, 3310, 3405 | Yes   |
| FRC7225   | FRC7245  | FRC7265         | FRC7285 | Recessed      | 12                    | 27 | 8     | 14-3/4       | 29-3/4 | 13-15/16              | 28-15/16    | 9         | 5/8  | 3002, 3005, 3005-3, 3006, 3010, 3302, 3305, 3005-3, 3306, 3310, 3405 | Yes   |

ALL DIMENSIONS ARE IN INCHES UNLESS OTHERWISE NOTED



**DISCLAIMER AND AGREEMENT**

Due to the design nature of the DANA SERIES FIRE RATED CABINET rough wall openings must match EXACTLY to the submittal information provided. Potter Roemer assumes no liability for any errors, omissions or damages resulting from inaccurate wall openings.

Prior to releasing any Fire Rated Dana Series Cabinet order for delivery or will call pickup, this document must be signed and returned to Potter Roemer Customer Service via e-mail at [cust.serv@potterroemer.com](mailto:cust.serv@potterroemer.com), fax (626)937-4777 or standard mail Potter to Roemer Customer Service PO Box 3257, City of Industry, CA 91477

Signature (req'd) \_\_\_\_\_ Name (printed) \_\_\_\_\_ Date \_\_\_\_\_

|  |   |  |
|--|---|--|
| <p>Call Potter Roemer for current listings and approvals. Dimensions are subject to manufacturer's tolerance and may change without notice. Potter Roemer assumes no responsibility for use of void or superseded data. © Copyright Potter Roemer- Fire Pro, Member of Morris Group International™ Please visit <a href="http://potterroemer.com">potterroemer.com</a> for most current specifications.</p> <p><b>FRC7200 SERIES</b></p> | <p><b>MEMBERSHIP</b></p>  | <p><b>POTTER ROEMER</b></p> <p>Headquarters:<br/>P.O. Box 3527<br/>City of Industry, CA<br/>91744 U.S.A.<br/>Los Angeles Area<br/>800-366-3473<br/>626-855-4890</p> <p>Also in:<br/>New York (800) 526-4592<br/>Chicago (800) 547-3473<br/>Atlanta (800) 762-0542<br/>Miami (833) 744-3473<br/>Dallas (866) 644-3473</p> <p><a href="http://www.potterroemer.com">www.potterroemer.com</a></p> |
|--|---|--|