

## SPECIFICATIONS

### BOX

Cold rolled steel with an electrostatically applied, thermally-fused polyester coating with recoatable white finish, and a continuous hinge.

### DOOR AND FRAME

Model 7307-7327: **Steel** - Cold rolled steel with recoatable white polyester finish

Model 7337-7347: **Aluminum** - Clear anodized finish

Model 7357-7367: **Stainless Steel** - #304 Stainless steel with #4 finish

Model 7377-7387: **Brass** - Polished finish, clear polyester coated



MODEL FRC7320 (Shown)

## MODEL SELECTION

### STEEL

- FRC7307 Recessed
- FRC7308 Semi-Recessed
- FRC7320 Recessed
- FRC7321 Trimless
- FRC7322 Semi-Recessed
- FRC7325 Recessed
- FRC7326 Trimless
- FRC7327 Semi-Recessed

### ALUMINUM

- FRC7337 Recessed
- FRC7338 Semi-Recessed
- FRC7340 Recessed
- FRC7341 Trimless
- FRC7342 Semi-Recessed
- FRC7345 Recessed
- FRC7346 Trimless
- FRC7347 Semi-Recessed

## MODEL SELECTION (cont.)

### STAINLESS STEEL

- FRC7357 Recessed
- FRC7358 Semi-Recessed
- FRC7360 Recessed
- FRC7361 Trimless
- FRC7362 Semi-Recessed
- FRC7365 Recessed
- FRC7366 Trimless
- FRC7367 Semi-Recessed

### BRASS

- FRC7377 Recessed
- FRC7378 Semi-Recessed
- FRC7380 Recessed
- FRC7381 Trimless
- FRC7382 Semi-Recessed
- FRC7385 Recessed
- FRC7386 Trimless
- FRC7387 Semi-Recessed

Call Potter Roemer - Fire Pro for current listings and approvals. Dimensions are subject to manufacturer's tolerance and may change without notice. Potter Roemer - Fire Pro assumes no responsibility for use of void or superseded data. © Copyright Potter Roemer - Fire Pro, Member of Morris Group International™ Please visit [potterroemer.com](http://potterroemer.com) for most current specifications.

**FRC7300 SERIES**

Date: 09/19/18

**MEMBERSHIP**



FIRE EQUIPMENT  
MANUFACTURERS'  
ASSOCIATION



## POTTER ROEMER/FIRE PRO

Headquarters:  
P.O. Box 3527  
City of Industry, CA  
91744 U.S.A.  
Los Angeles Area  
800-366-3473  
626-855-4890

Also in:  
New York (800) 526-4592  
Chicago (800) 547-3473  
Atlanta (800) 762-0542  
Miami (866) 961-3473  
Dallas (866) 644-3473

[www.potterroemer.com](http://www.potterroemer.com)

**PRODUCT OPTIONS**

**DOOR STYLES:**

- BA Full Bubble w/ Lever Handle & Cam Latch
- BB Break-Glass, w/lock & Break Rite® Handle

**BUBBLE COLOR:**

- 6 Clear
- 7 Bronze
- 9 Smoke

**DOOR AND FRAME FINISHES:**

- STEEL: Any polyester paint color, if available; Provide mfg. name and color number
- ALUMINUM: Light, Medium or Dark duranodic
- STAINLESS STEEL: Number 304 Stainless, with #8 mirror finish
- BRONZE: U.S. # 10 Satin finish with clear coating, or dark oxidized, oil rubbed; specify
- RED: For Red Polyester Finish, Add This Suffix
- RR: For Rolled Radius Return, Add This Suffix
- CUSTOM \_\_\_\_\_

**PRODUCT OPTIONS (cont.)**

**FIRE EXTINGUISHER LETTERING:**

- VW Vertical White
- VB Vertical Black
- VR Vertical Red
- VAW Vertical Ascending White
- VAB Vertical Ascending Black
- VAR Vertical Ascending Red

Call Potter Roemer - Fire Pro for current listings and approvals. Dimensions are subject to manufacturer's tolerance and may change without notice. Potter Roemer-Fire Pro assumes no responsibility for use of void or superceded data. © Copyright Potter Roemer- Fire Pro, Member of Morris Group International™ Please visit [potterroemer.com](http://potterroemer.com) for most current specifications.

**FRC7300 SERIES**

Date: 09/19/18

**MEMBERSHIP**



FIRE EQUIPMENT  
MANUFACTURERS'  
ASSOCIATION



**POTTER ROEMER/FIRE PRO**

Headquarters:  
P.O. Box 3527  
City of Industry, CA  
91744 U.S.A.  
Los Angeles Area  
800-366-3473  
626-855-4890

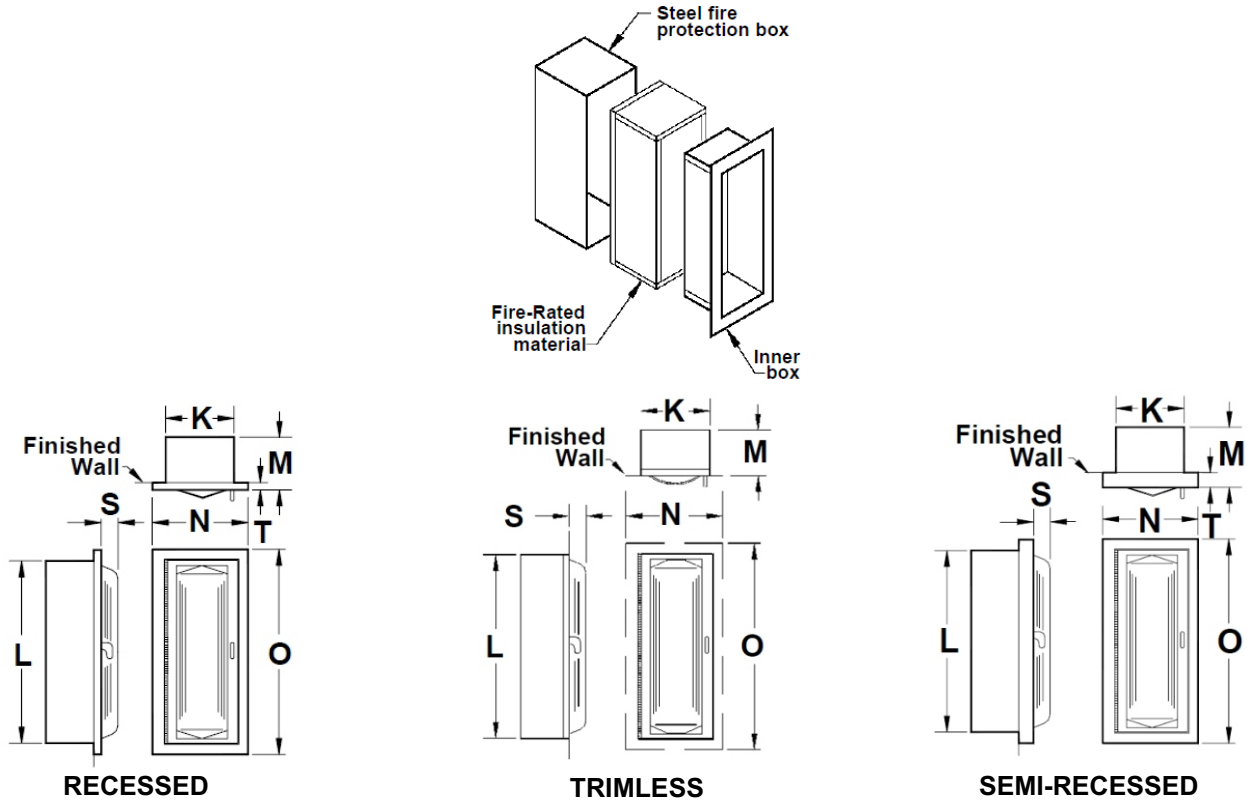
Also in:  
New York (800) 526-4592  
Chicago (800) 547-3473  
Atlanta (800) 762-0542  
Miami (866) 961-3473  
Dallas (866) 644-3473

[www.potterroemer.com](http://www.potterroemer.com)

**MODEL DIMENSIONS**

Model No.				Wall Mounting	Inside Box Dimension			Overall Frame		Wall Opening Required			Proj.	Trim	For Use With These Extinguishers	ADA
Steel	Aluminum	Stainless Steel	Brass		K	L	M	N	O	W I D T H	H E I G H T	D E P T H				
FRC7307	FRC7337	FRC7357	FRC7377	Recessed	9	18	4	11-3/4	20-3/4	11-1/4	20	4-5/8	2	1/2	3002, 3005, 3005-3, 3302, 3305, 3305-3	Yes
FRC7308	FRC7338	FRC7358	FRC7378	Semi-Recessed	9	18	4	11-3/4	20-3/4	11-1/4	20	3-1/8	2	2		No
FRC7320	FRC7340	FRC7360	FRC7380	Recessed	9	24	4	11-3/4	26-3/4	11-1/4	26	4-5/8	2	1/2	3002, 3005, 3005-3, 3006, 3010, 3302, 3305, 3305-3, 3306, 3310	Yes
FRC7321	FRC7341	FRC7361	FRC7381	Trimless	9	24	4-1/2	11-3/4	27-3/4	11-1/4	26	5-5/8	2	-		Yes
FRC7322	FRC7342	FRC7362	FRC7382	Semi-Recessed	9	24	4	11-3/4	26-3/4	11-1/4	26	3-1/8	2	2	No	
FRC7325	FRC7345	FRC7365	FRC7385	Recessed	12	27	4-3/4	14-1/2	29-1/2	14-1/4	29	5-3/8	3	1/2	3020, 3202, 3320, 3410	Yes
FRC7326	FRC7346	FRC7366	FRC7386	Trimless	12	27	5-1/4	14-1/2	30-1/2	14-1/4	29	6-3/8	3	-		Yes
FRC7327	FRC7347	FRC7367	FRC7387	Semi-Recessed	12	27	4-3/4	14-1/2	29-1/2	14-1/4	29	2-7/8	3	3		No

ALL DIMENSIONS ARE IN INCHES UNLESS OTHERWISE NOTED



<p>Call Potter Roemer - Fire Pro for current listings and approvals. Dimensions are subject to manufacturer's tolerance and may change without notice. Potter Roemer - Fire Pro assumes no responsibility for use of void or superseded data. © Copyright Potter Roemer - Fire Pro, Member of Morris Group International™ Please visit <a href="http://potterroemer.com">potterroemer.com</a> for most current specifications.</p> <p><b>FRC7300 SERIES</b> Date: 09/19/18</p>	<p><b>MEMBERSHIP</b></p>     	<p><b>POTTER ROEMER/FIRE PRO</b></p> <p>Headquarters: P.O. Box 3527 City of Industry, CA 91744 U.S.A. Los Angeles Area 800-366-3473 626-855-4890</p> <p>Also in: New York (800) 526-4592 Chicago (800) 547-3473 Atlanta (800) 762-0542 Miami (866) 961-3473 Dallas (866) 644-3473</p> <p><a href="http://www.potterroemer.com">www.potterroemer.com</a></p>
--	--	---